



PORTA UTENSILI PER TORNII CNC
TOOLHOLDERS TYPE "BMT" FOR LATHE



PORTA UTENSILI PER TORNI CNC TOOLHODERS TYPE "BMT" FOR LATHE

I portautensili per torni tipo "BMT" vengono impiegati sui torni cnc Dmg Mori Seiki, Doosan, Nakamura Tome, Okuma, Mazak, Cnz, Biglia, Haas. La produzione principale riguarda i portautensili statici che garantiscono massima precisione sia per lavorazioni di tornitura che per lavorazioni di foratura e barenatura. In particolare sono stati progettati portautensili multipli per il montaggio di più utensili sovrapposti in un'unica stazione necessari nei torni di nuova generazione con mandrino, contro-mandrino e portautensili motorizzati.

Descrizione e specifiche

I portautensili per torni tipo "BMT" sono costruiti con acciaio certificato altamente legato e sono sottoposti ad un trattamento anti corrosione. Tutto il ciclo produttivo viene svolto nel nostro stabilimento in Italia con macchine utensili di alta precisione ed è rigorosamente controllato. Grazie all'ampia disponibilità di magazzino possiamo generalmente spedire il materiale il giorno stesso della ricezione dell'ordine.

Maggiori informazioni

I portautensili assiali per foratura e barenatura prodotti da Chia-mo sono studiati con la possibilità di selezionare il passaggio di liquido refrigerante esterno o interno. Possiamo inoltre eseguire portautensili speciali su richiesta del cliente.

Prodotti

Porta utensili assiali per torni cnc – Porta utensili radiali per torni cnc – Porta utensili per torni Dmg Mori, Doosan, Biglia, Cnz, Nakamura Tome, Haas, Okuma, Goodway.

Toolholders type "BMT" are used on cnc lathes Dmg Mori Seiki, Doosan, Nakamura Tome, Okuma, Mazak, Cnz, Biglia, Haas. The main production concerns static tool that guarantee maximum precision both for turning and for drilling and boring. In particular, multiple tool holders have been designed for the assembly of many tools in a single station needed in lathes of new generation with the spindle, the counter spindle and rotary tool holders.

Description and Specifications

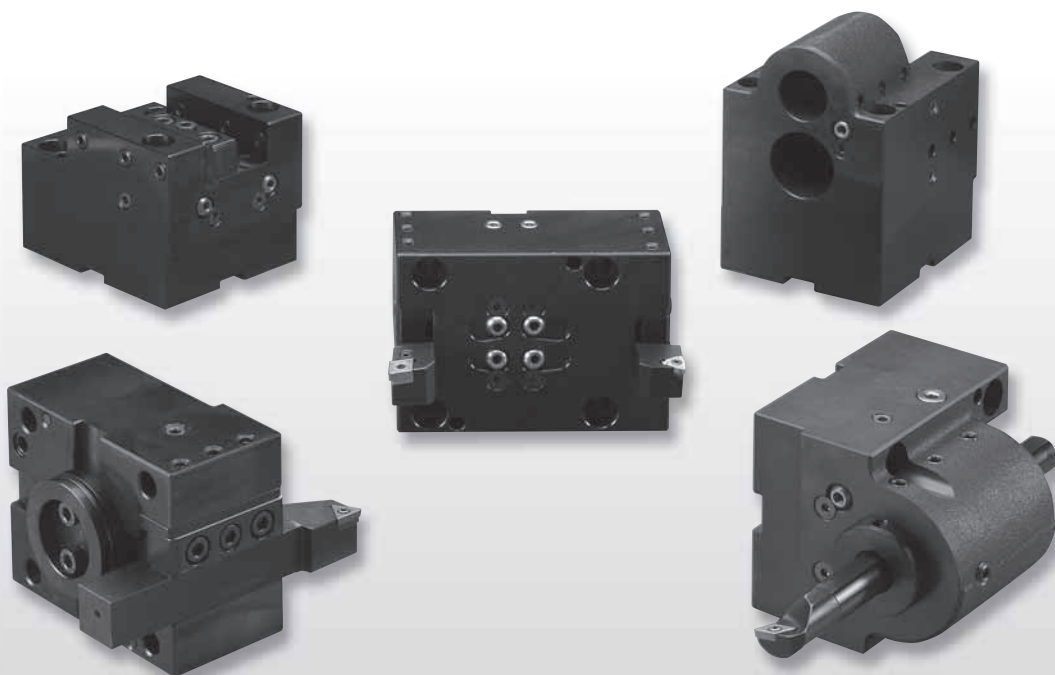
Toolholders type "BMT" are produced with certified top quality steel and are subjected to an anti-corrosion treatment. All production cycle is carried out in our factory in Italy with high precision machines and is carefully controlled. Thanks to the availability of stock, we can usually ship the material the same day as order is received.

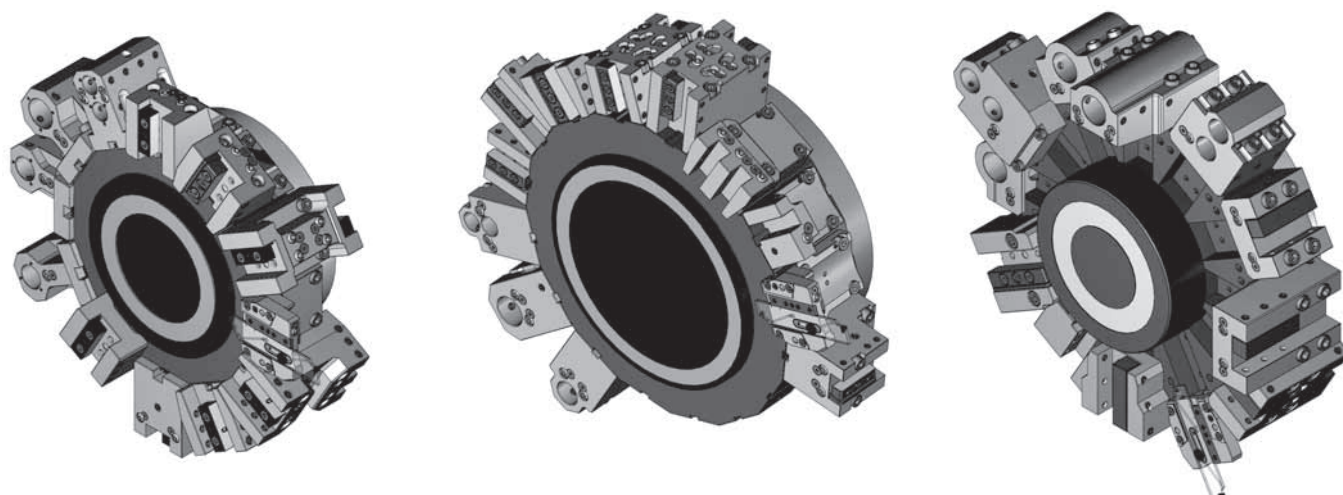
Further Information

The axial boring bar toolholders products from Chia-mo are designed with the possibility to select external or internal cooling circuit. We can also produce special tool holders on request.

Products

Axial cnc tool holders – Radial cnc tool holders – Tool holders for lathe Dmg Mori, Doosan, Biglia, Cnz, Nakamura, Haas, Okuma, Goodway.





7 = PORTAUTENSILE PER TORNITURA INTERNA / Internal turning toolholder
8 = PORTAUTENSILE PER TORNITURA ESTERNA / External turning toolholder

DIMENSIONE ATTACCO TORRETTA / Turret dimension

TIPOLOGIA PORTAUTENSILE / Toolholder type

DIMENSIONE PRINCIPALE / Principal dimension

DIMENSIONE AGGIUNTIVA / Secondary dimension

CHIA-MO cod.

7M8C40 R H120

**R = PORTAUTENSILE MONTATO CON
PREDISPOSIZIONE PER
REFRIGERAZIONE INTERNA**
R = The toolholder is assembled for internal coolant

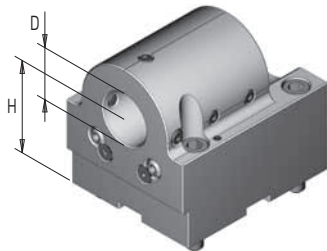
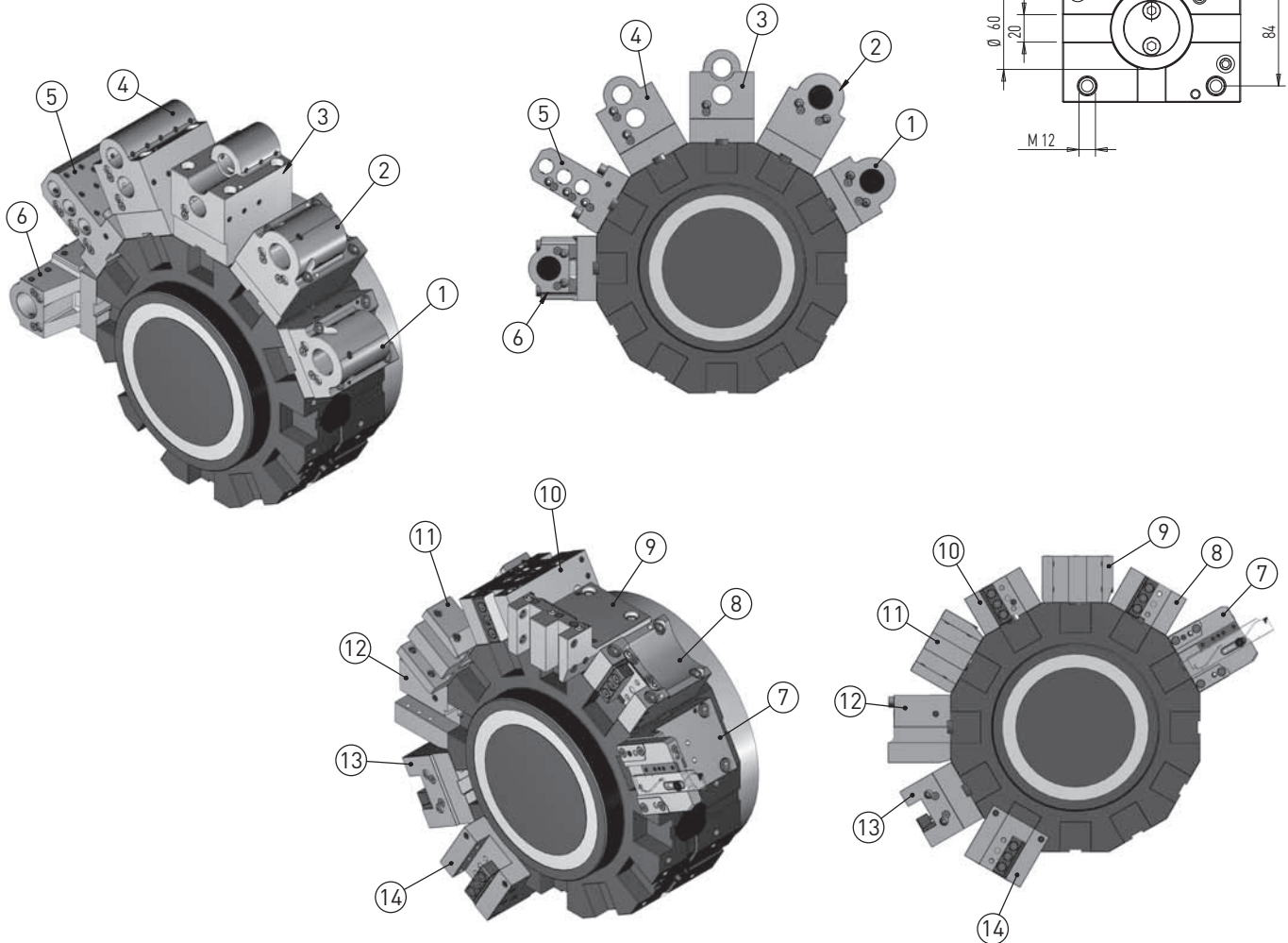
**senza R = PORTAUTENSILE MONTATO CON
PREDISPOSIZIONE PER
REFRIGERAZIONE ESTERNA**
without R = The toolholder is assembled for external coolant

TORNIO / Lathe

| | | |
|-----------|-------------------------------|---------|
| B | = BIGLIA | pag. 62 |
| C | = CMZ | pag. 71 |
| D | = DOOSAN | pag. 56 |
| G | = GOODWAY | pag. 81 |
| H | = HAAS | pag. 76 |
| K | = OKUMA | pag. 78 |
| M | = MORI SEIKI / DMG MORI | pag. 44 |
| MU | = MURATEC | pag. 80 |
| N | = NAKAMURA | pag. 67 |

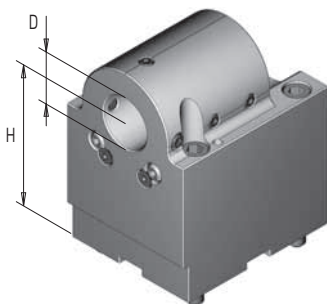
MODELLI / Models
 NL / NLX 1500/2000/2500/3000 (12 station turret)
 NT 4000/4200/4250/4300/5000/5400
 NZL 2000/2500
 NZX 2500 (12 station turret)

MACCHINE COMPATIBILI / Compatibility machines
 Goodway G4 / GS 2000/2600/2800/3000/3300/3600



1

| Art. / Code | Art. / Code DMG MORI | D | H | Coolant IN | Coolant OUT |
|-------------|-------------------------|----|----|------------|-------------|
| 7M8C40 | T10097 | 40 | 80 | ✓ | ✓ |
| 7M8C40 R | T13128 | 40 | 80 | ✓ | ✓ |
| 7M8C50 | T10098 | 50 | 80 | x | ✓ |
| 7M8C50 R | / | 50 | 80 | ✓ | ✓ |



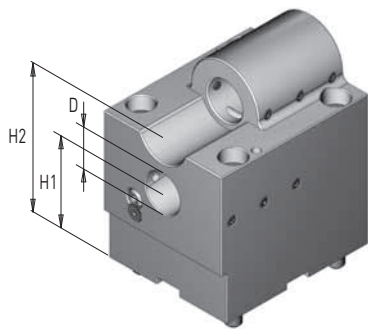
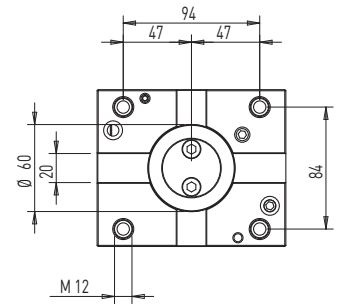
2

| Art. / Code | Art. / Code DMG MORI | D | H | Coolant IN | Coolant OUT |
|---------------|-------------------------|----|-----|------------|-------------|
| 7M8C40 H120 | T10113 | 40 | 120 | ✓ | ✓ |
| 7M8C40 R H120 | T13131 | 40 | 120 | ✓ | ✓ |
| 7M8C50 H120 | T10114 | 50 | 120 | x | ✓ |



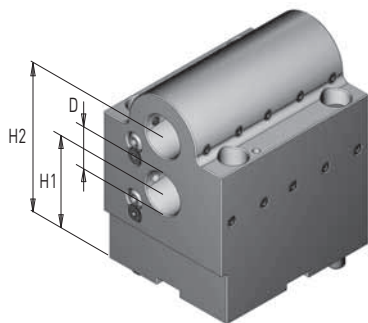
MODELLI / Models
 NL / NLX 1500/2000/2500/3000 (12 station turret)
 NT 4000/4200/4250/4300/5000/5400
 NZL 2000/2500
 NZX 2500 (12 station turret)

MACCHINE COMPATIBILI / Compatibility machines
 Goodway G4 / GS 2000/2600/2800/3000/3300/3600



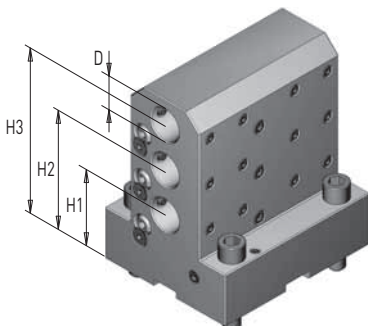
3

| Art. / Code | Art. / Code DMG MORI | D | H1 | H2 | Coolant IN | Coolant OUT |
|-------------|----------------------|----|----|-----|------------|-------------|
| 7M8D32 | T10096 | 32 | 80 | 125 | ✓ | ✓ |



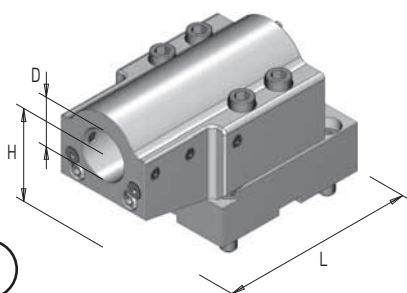
4

| Art. / Code | Art. / Code DMG MORI | D | H1 | H2 | Coolant IN | Coolant OUT |
|-------------|----------------------|----|----|-----|------------|-------------|
| 7M8D32 L | / | 32 | 80 | 125 | ✓ | ✓ |



5

| Art. / Code | Art. / Code DMG MORI | D | H1 | H2 | H3 | Coolant IN | Coolant OUT |
|-------------|----------------------|----|----|----|-----|------------|-------------|
| 7M8T25 L | T10104 | 25 | 60 | 95 | 130 | ✓ | ✓ |

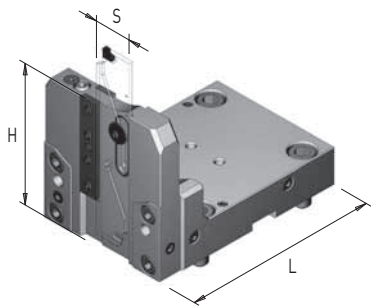
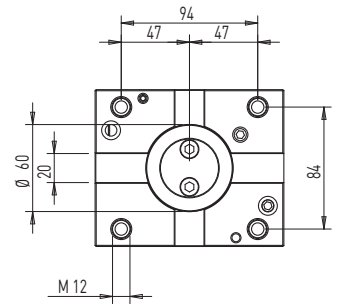


6

| Art. / Code | Art. / Code DMG MORI | D | H | L | Coolant IN | Coolant OUT |
|-----------------|----------------------|----|----|-----|------------|-------------|
| 7M87M6 + 7M6L40 | T23018 + T10038 | 40 | 80 | 190 | ✓ | ✓ |
| 7M87M6 + 7M6L50 | T23018 + T10038 | 50 | 80 | 190 | ✓ | ✓ |

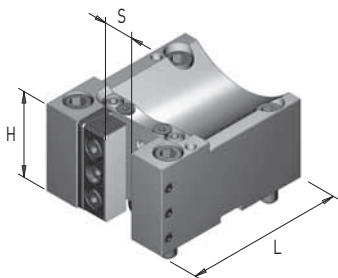
MODELLI / Models
 NL / NLX 1500/2000/2500/3000 (12 station turret)
 NT 4000/4200/4250/4300/5000/5400
 NZL 2000/2500
 NZX 2500 (12 station turret)

MACCHINE COMPATIBILI / Compatibility machines
 Goodway G4 / GS 2000/2600/2800/3000/3300/3600



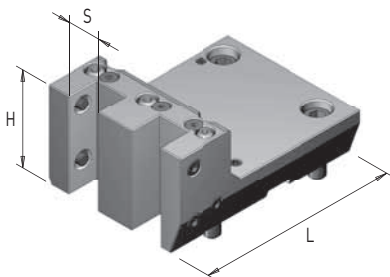
7

| Art. / Code | Art. / Code DMG MORI | S | H | L | Coolant IN | Coolant OUT |
|-------------|----------------------|----------|----|-----|------------|-------------|
| 8M8B32 | / | ISCAR 32 | 95 | 160 | ✓ | ✓ |



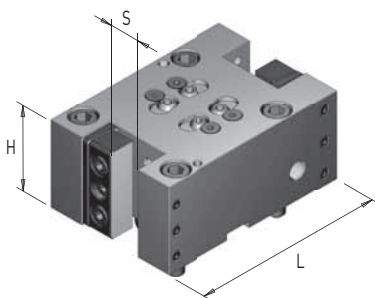
8

| Art. / Code | Art. / Code DMG MORI | S | H | L | Coolant IN | Coolant OUT |
|-------------|----------------------|-------|----|-----|------------|-------------|
| 8M8V40 | T00187 | 20x20 | 65 | 130 | x | ✓ |
| 8M8V50 | T00186 | 25x25 | 70 | 130 | x | ✓ |



9

| Art. / Code | Art. / Code DMG MORI | S | H | L | Coolant IN | Coolant OUT |
|-------------|----------------------|-------|----|-----|------------|-------------|
| 8M8V25 D | / | 25x25 | 78 | 164 | x | ✓ |



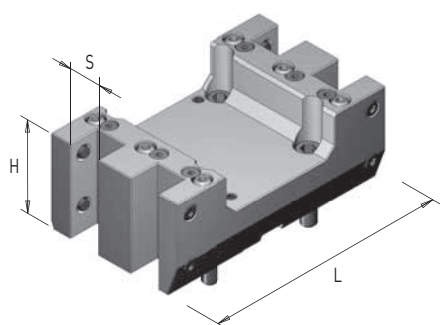
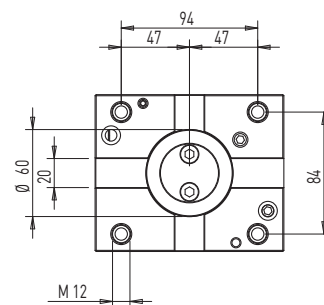
10

| Art. / Code | Art. / Code DMG MORI | S | H | L | Coolant IN | Coolant OUT |
|-------------|----------------------|-------|----|-----|------------|-------------|
| 8M8D40 | T00185 | 20x20 | 65 | 150 | x | ✓ |
| 8M8D50 | T00184 | 25x25 | 70 | 155 | x | ✓ |



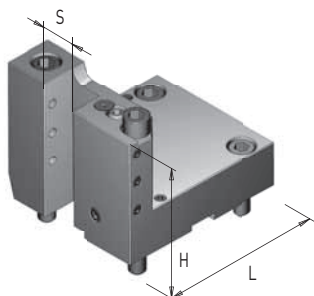
MODELLI / Models
NL / NLX 1500/2000/2500/3000 (12 station turret)
NT 4000/4200/4250/4300/5000/5400
NZL 2000/2500
NZX 2500 (12 station turret)

MACCHINE COMPATIBILI / Compatibility machines
Goodway G4 / GS 2000/2600/2800/3000/3300/3600



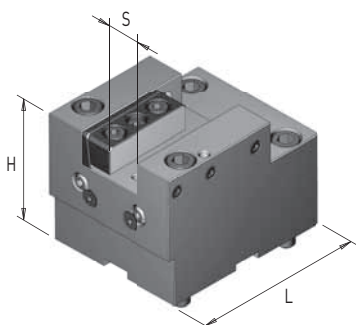
11

| Art. / Code | Art. / Code DMG MORI | S | H | L | Coolant IN | Coolant OUT |
|-------------|-------------------------|-------|----|-----|------------|-------------|
| 8M8D25 Q | / | 25x25 | 78 | 197 | X | ✓ |



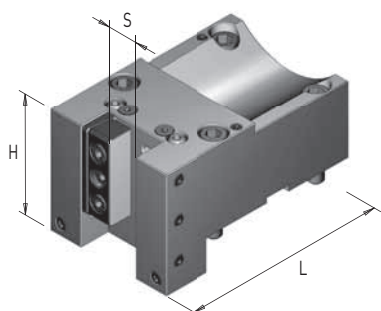
12

| Art. / Code | Art. / Code DMG MORI | S | H | L | Coolant IN | Coolant OUT |
|-------------|-------------------------|-------|----|-----|------------|-------------|
| 8M8B25 | T00197 | 25x25 | 95 | 130 | X | ✓ |



13

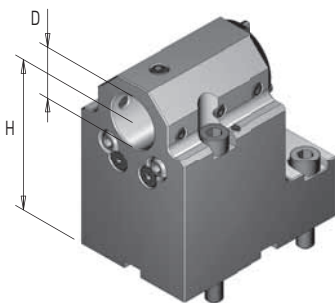
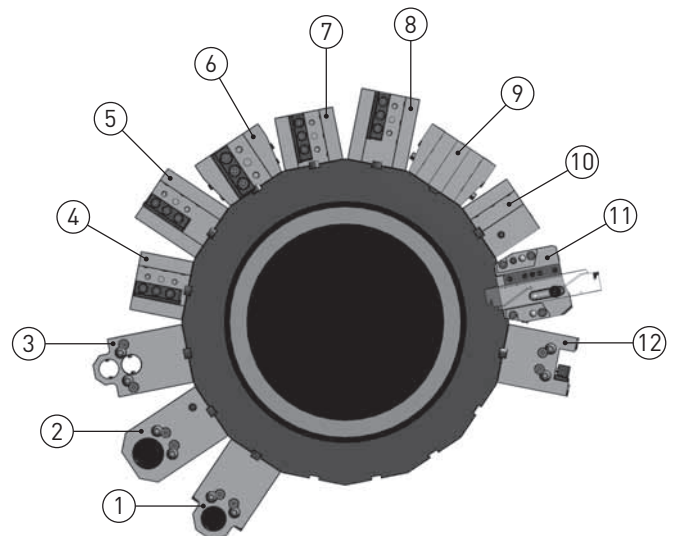
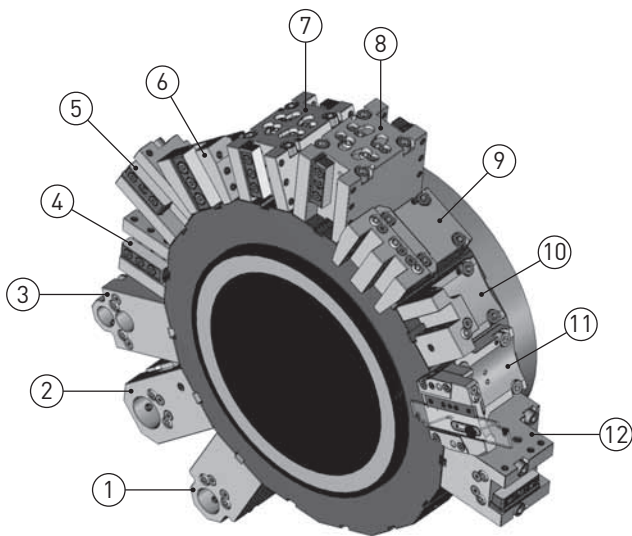
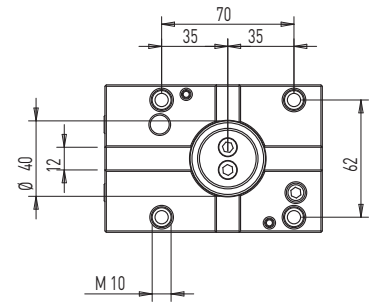
| Art. / Code | Art. / Code DMG MORI | S | H | L | Coolant IN | Coolant OUT |
|-------------|-------------------------|-------|-----|-----|------------|-------------|
| 8M8C40 | T03006 | 20x20 | 70 | 130 | | |
| 8M8C50 | T03005 | 25x25 | 100 | 130 | | |



14

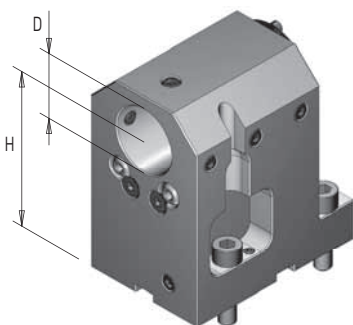
| Art. / Code | Art. / Code DMG MORI | S | H | L | Coolant IN | Coolant OUT |
|-------------|-------------------------|-------|----|-----|------------|-------------|
| 8M8V50 L | / | 25x25 | 98 | 169 | X | ✓ |

MODELLI / Models
NZ 1500/2000/3100
NT / NTZ 1000/2000/3000/3100/3150/3200
NZ / NZX 2000/2500 (16 station turret)
NL / NLX 1500/2000/2500 (20 station turret)
DURATURN 2050/2550 MC



1

| Art. / Code | Art. / Code DMG MORI | D | H | Coolant IN | Coolant OUT |
|-------------|-------------------------|----|-----|------------|-------------|
| 7M5C32 | T10115 | 32 | 100 | ✓ | ✓ |
| 7M5C32 R | T13132 | 32 | 100 | ✓ | ✓ |

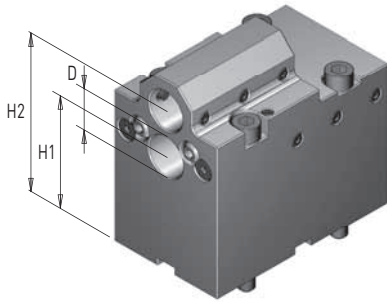
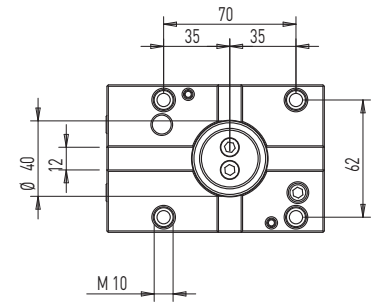


2

| Art. / Code | Art. / Code DMG MORI | D | H | Coolant IN | Coolant OUT |
|-------------|-------------------------|----|-----|------------|-------------|
| 7M5C40 | / | 40 | 100 | ✓ | ✓ |
| 7M5C40 R | / | 40 | 100 | ✓ | ✓ |

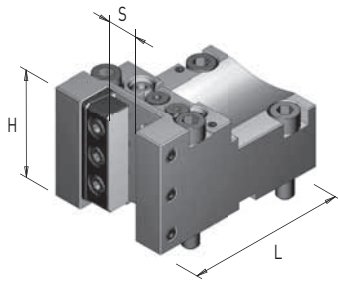


MODELLI / Models
NZ 1500/2000/3100
NT / NTZ 1000/2000/3000/3100/3150/3200
NZ / NZX 2000/2500 (16 station turret)
NL / NLX 1500/2000/2500 (20 station turret)
DURATURN 2050/2550 MC



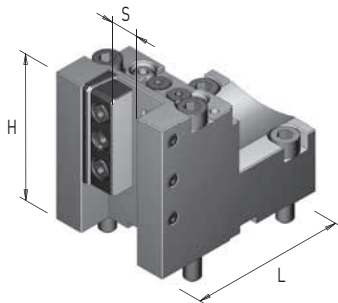
3

| Art. / Code | Art. / Code DMG MORI | D | H1 | H2 | Coolant IN | Coolant OUT |
|-------------|-------------------------|----|----|-----|------------|-------------|
| 7M5D25 | T10117 | 25 | 75 | 105 | ✓ | ✓ |



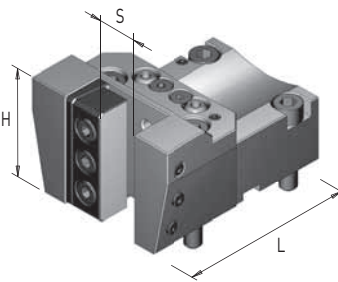
4

| Art. / Code | Art. / Code DMG MORI | S | H | L | Coolant IN | Coolant OUT |
|-------------|-------------------------|-------|----|-----|------------|-------------|
| 8M5V40 | T00224 | 20x20 | 70 | 115 | x | ✓ |



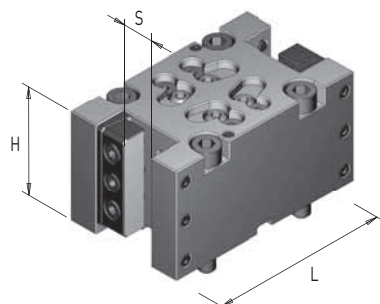
5

| Art. / Code | Art. / Code DMG MORI | S | H | L | Coolant IN | Coolant OUT |
|-------------|-------------------------|-------|----|-----|------------|-------------|
| 8M5V40 H95 | T00225 | 20x20 | 95 | 115 | x | ✓ |



6

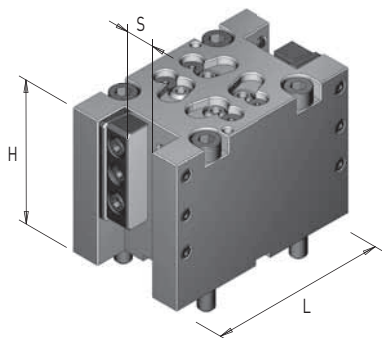
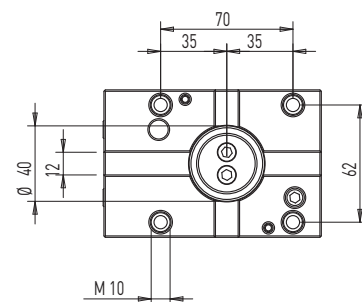
| Art. / Code | Art. / Code DMG MORI | S | H | L | Coolant IN | Coolant OUT |
|-------------|-------------------------|-------|----|-----|------------|-------------|
| 8M5V50 | / | 25x25 | 70 | 124 | x | ✓ |



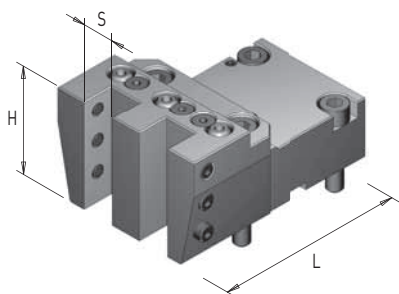
7

| Art. / Code | Art. / Code DMG MORI | S | H | L | Coolant IN | Coolant OUT |
|-------------|-------------------------|-------|----|-----|------------|-------------|
| 8M5D40 | T00228 | 20x20 | 70 | 130 | x | ✓ |

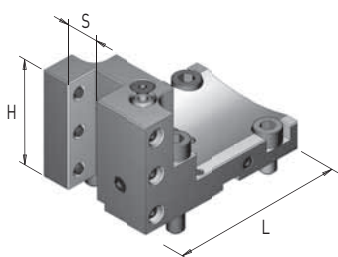
MODELLI / Models
NZ 1500/2000/3100
NT / NTZ 1000/2000/3000/3100/3150/3200
NZ / NZX 2000/2500 (16 station turret)
NL / NLX 1500/2000/2500 (20 station turret)
DURATURN 2050/2550 MC


8

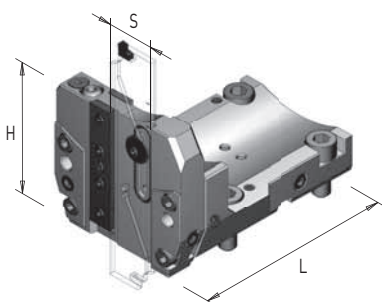
| Art. / Code | Art. / Code DMG MORI | S | H | L | Coolant IN | Coolant OUT |
|-------------------|-------------------------|-------|----|-----|------------|-------------|
| 8M5D40 H95 | T00226 | 20x20 | 95 | 130 | X | ✓ |


9

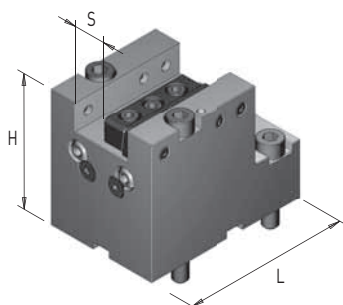
| Art. / Code | Art. / Code DMG MORI | S | H | L | Coolant IN | Coolant OUT |
|-----------------|-------------------------|-------|----|-----|------------|-------------|
| 8M5V20 D | / | 20x20 | 70 | 139 | X | ✓ |


10

| Art. / Code | Art. / Code DMG MORI | S | H | L | Coolant IN | Coolant OUT |
|---------------|-------------------------|-------|----|-----|------------|-------------|
| 8M5B20 | T00251 | 20x20 | 70 | 115 | X | ✓ |


11

| Art. / Code | Art. / Code DMG MORI | S | H | L | Coolant IN | Coolant OUT |
|---------------|-------------------------|----------|----|-----|------------|-------------|
| 8M5B32 | / | ISCAR 32 | 80 | 135 | ✓ | ✓ |

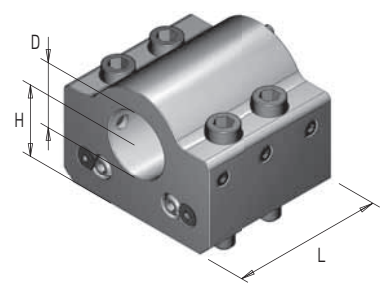
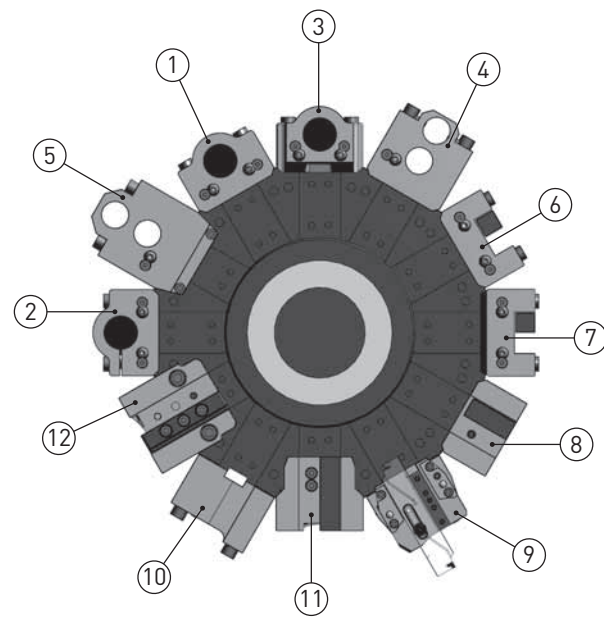
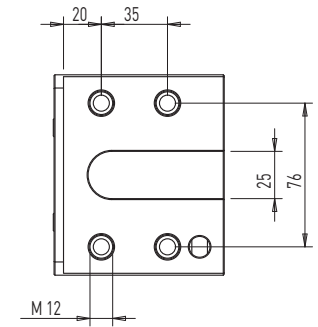
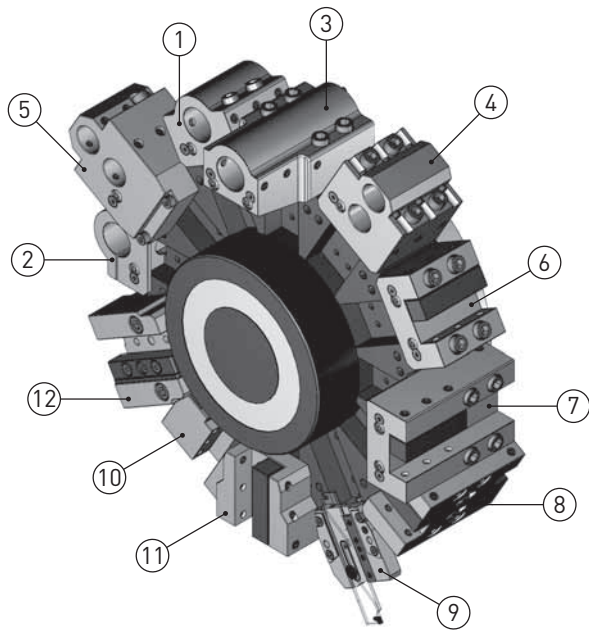

12

| Art. / Code | Art. / Code DMG MORI | S | H | L | Coolant IN | Coolant OUT |
|---------------|-------------------------|-------|----|-----|------------|-------------|
| 8M5C40 | T03017 | 20x20 | 92 | 115 | X | ✓ |

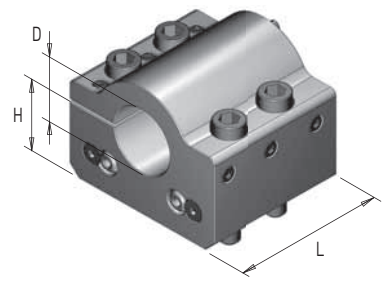


MODELLI / Models
CL 200/203
SL 20/25
SL 200/203/204/250/253/254 (MC, SMC) - 2500Y
ZL/DL 200/250 (MC)

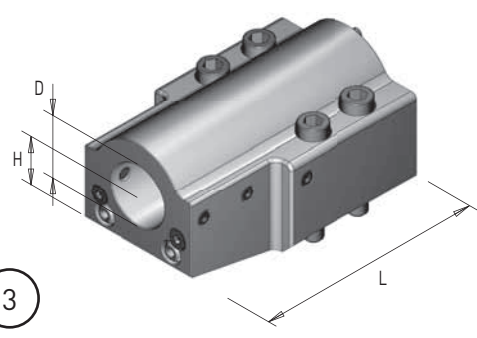
MACCHINE COMPATIBILI / Compatibility machines
Goodway GS 200/260/280
Goodway GA 2000/2600/2800/3000/3300/3600



| Art. / Code | Art. / Code DMG MORI | D | H | L | Coolant IN | Coolant OUT |
|-------------|----------------------|----|----|----|------------|-------------|
| 7M6C40 | T10036 | 40 | 40 | 90 | ✓ | ✓ |
| 7M6C40 R | T13064 | 40 | 40 | 90 | ✓ | ✓ |
| 7M6C50 | T10044 | 50 | 40 | 90 | ✓ | ✓ |
| 7M6C50 R | T10044 | 50 | 40 | 90 | ✓ | ✓ |



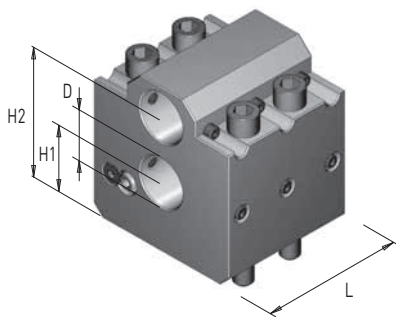
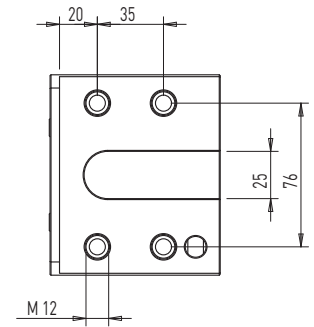
| Art. / Code | Art. / Code DMG MORI | D | H | L | Coolant IN | Coolant OUT |
|-------------|----------------------|----|----|----|------------|-------------|
| 7M6C40 B | / | 40 | 40 | 90 | ✗ | ✓ |



| Art. / Code | Art. / Code DMG MORI | D | H | L | Coolant IN | Coolant OUT |
|-------------|----------------------|----|----|-----|------------|-------------|
| 7M6L40 | T10038 | 40 | 40 | 160 | ✓ | ✓ |
| 7M6L40 R | T10038 | 40 | 40 | 160 | ✓ | ✓ |
| 7M6L50 | T10094 | 50 | 40 | 160 | ✓ | ✓ |
| 7M6L50 R | T10094 | 50 | 40 | 160 | ✓ | ✓ |

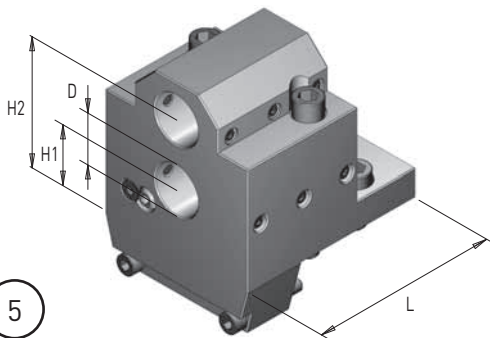
MODELLI / Models
 CL 200/203
 SL 20/25
 SL 200/203/204/250/253/254 (MC, SMC) - 2500Y
 ZL/DL 200/250 (MC)

MACCHINE COMPATIBILI / Compatibility machines
 Goodway GS 200/260/280
 Goodway GA 2000/2600/2800/3000/3300/3600



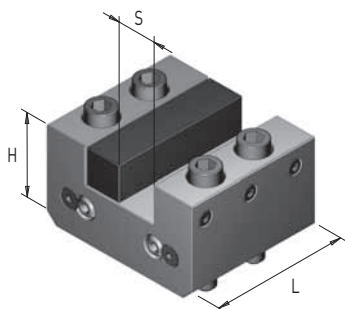
4

| Art. / Code | Art. / Code DMG MORI | D | H1 | H2 | L | Coolant IN | Coolant OUT |
|-------------|-------------------------|----|----|----|----|------------|-------------|
| 7M6D32 | T10086 | 32 | 40 | 85 | 90 | ✓ | ✓ |



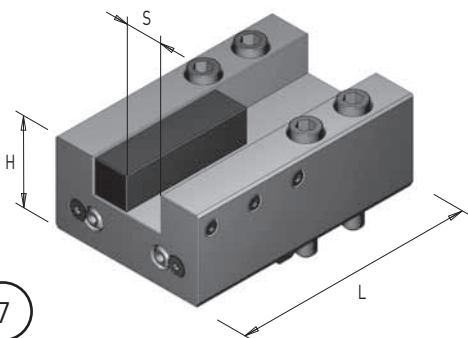
5

| Art. / Code | Art. / Code DMG MORI | D | H1 | H2 | L | Coolant IN | Coolant OUT |
|-------------|-------------------------|----|----|----|-----|------------|-------------|
| 7M6D32 L | T10208 | 32 | 40 | 85 | 125 | ✓ | ✓ |



6

| Art. / Code | Art. / Code DMG MORI | S | H | L | Coolant IN | Coolant OUT |
|-------------|-------------------------|-------|----|----|------------|-------------|
| 8M6C50 | T00068 | 25x25 | 55 | 90 | x | ✓ |



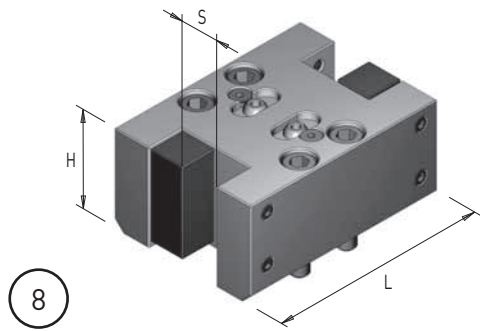
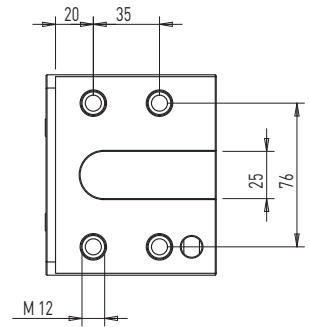
7

| Art. / Code | Art. / Code DMG MORI | S | H | L | Coolant IN | Coolant OUT |
|-------------|-------------------------|-------|----|-----|------------|-------------|
| 8M6L50 | T00082 | 25x25 | 60 | 160 | x | ✓ |



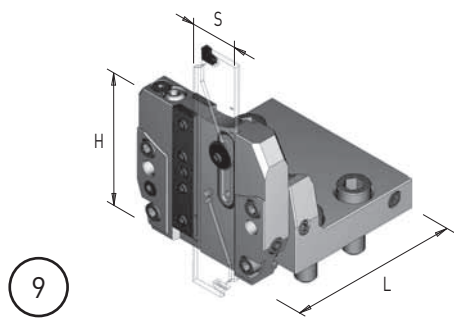
MODELLI / Models
CL 200/203
SL 20/25
SL 200/203/204/250/253/254 (MC, SMC) - 2500Y
ZL/DL 200/250 (MC)

MACCHINE COMPATIBILI / Compatibility machines
Goodway GS 200/260/280
Goodway GA 2000/2600/2800/3000/3300/3600



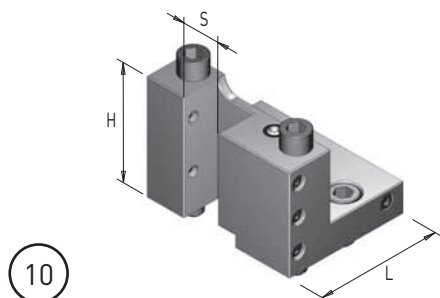
8

| Art. / Code | Art. / Code DMG MORI | S | H | L | Coolant IN | Coolant OUT |
|-------------|----------------------|-------|----|-----|------------|-------------|
| 8M6D50 | T00158 | 25x25 | 60 | 139 | X | ✓ |



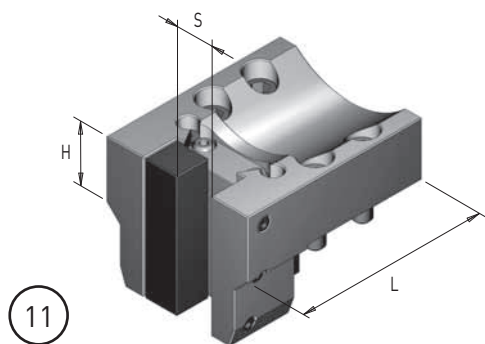
9

| Art. / Code | Art. / Code DMG MORI | S | H | L | Coolant IN | Coolant OUT |
|-------------|----------------------|----------|----|-----|------------|-------------|
| 8M6B32 | / | ISCAR 32 | 80 | 103 | ✓ | ✓ |



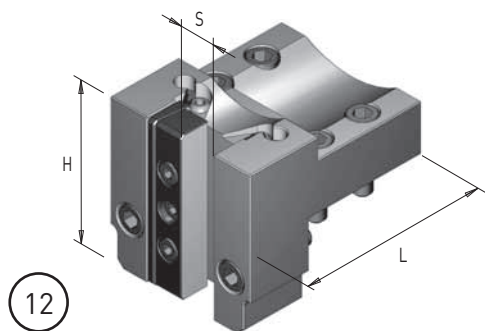
10

| Art. / Code | Art. / Code DMG MORI | S | H | L | Coolant IN | Coolant OUT |
|-------------|----------------------|-------|----|----|------------|-------------|
| 8M6B25 | T00156 | 25x25 | 78 | 85 | X | ✓ |



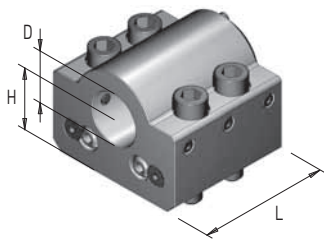
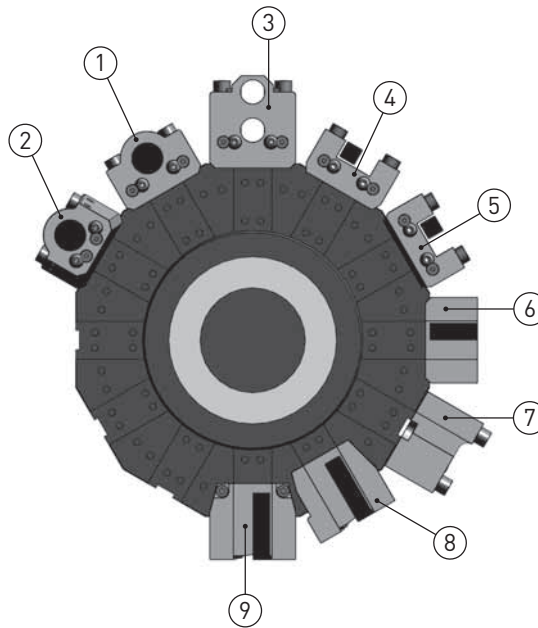
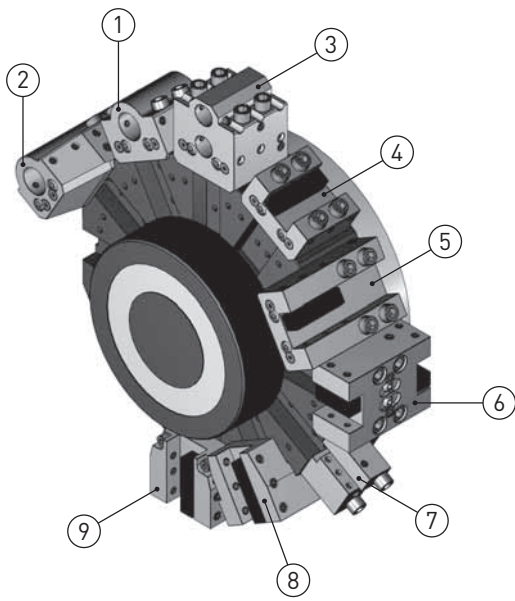
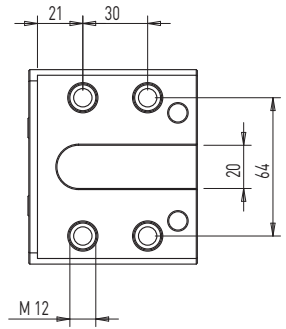
11

| Art. / Code | Art. / Code DMG MORI | S | H | L | Coolant IN | Coolant OUT |
|-------------|----------------------|-------|----|-----|------------|-------------|
| 8M6V50 | T00074 | 25x25 | 90 | 130 | X | ✓ |
| 8M6V50 L | T00076 | 25x25 | 90 | 155 | X | ✓ |

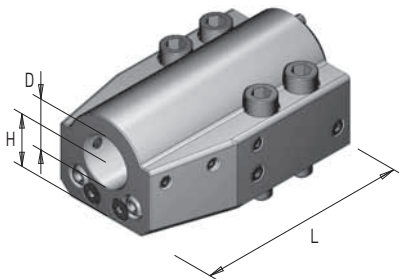


12

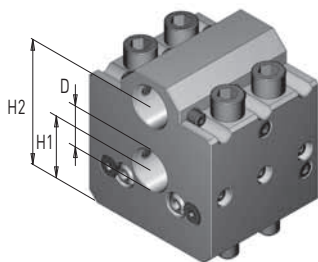
| Art. / Code | Art. / Code DMG MORI | S | H | L | Coolant IN | Coolant OUT |
|-------------|----------------------|-------|-----|-----|------------|-------------|
| 8M6T50 | T00162 | 25x25 | 109 | 130 | X | ✓ |
| 8M6T50 L | T00164 | 25x25 | 109 | 160 | X | ✓ |

MODELLI / Models
SL/ZL 150/153/154
DL 150

1

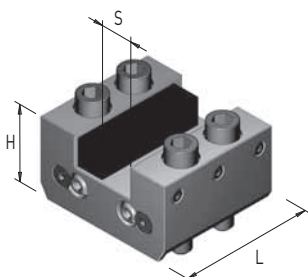
| Art. / Code | Art. / Code DMG MORI | D | H | L | Coolant IN | Coolant OUT |
|-----------------|-------------------------|----|----|----|------------|-------------|
| 7M3C32 | T10046 | 32 | 35 | 79 | ✓ | ✓ |
| 7M3C32 R | T13066 | 32 | 35 | 79 | ✓ | ✓ |


2

| Art. / Code | Art. / Code DMG MORI | D | H | L | Coolant IN | Coolant OUT |
|---------------|-------------------------|----|----|-----|------------|-------------|
| 7M3L32 | T10052 | 32 | 35 | 139 | ✓ | ✓ |


3

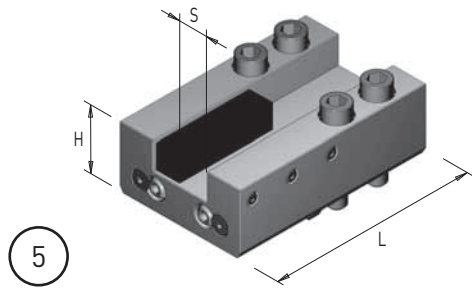
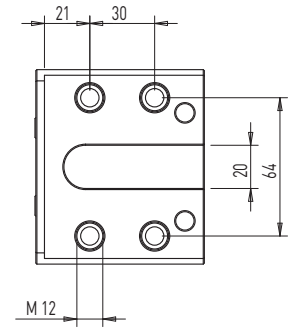
| Art. / Code | Art. / Code DMG MORI | D | H1 | H2 | Coolant IN | Coolant OUT |
|-----------------|-------------------------|----|----|----|------------|-------------|
| 7M3D25 | T10082 | 25 | 35 | 75 | ✓ | ✓ |
| 7M3D25 R | T10082 | 25 | 35 | 75 | ✓ | ✓ |


4

| Art. / Code | Art. / Code DMG MORI | S | H | L | Coolant IN | Coolant OUT |
|---------------|-------------------------|-------|----|----|------------|-------------|
| 8M3C40 | T00080 | 20x20 | 45 | 78 | x | ✓ |

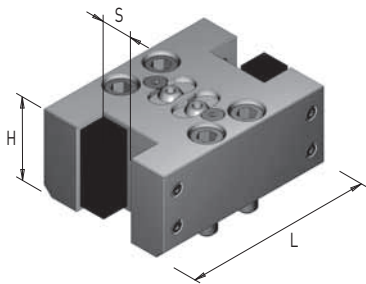


MODELLI / Models
SL/ZL 150/153/154
DL 150



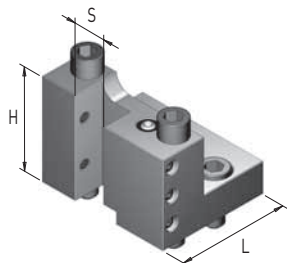
5

| Art. / Code | Art. / Code DMG MORI | S | H | L | Coolant IN | Coolant OUT |
|-------------|-------------------------|-------|----|-----|------------|-------------|
| 8M3L40 | T00148 | 20x20 | 50 | 139 | x | ✓ |



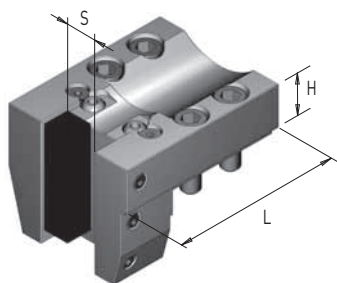
6

| Art. / Code | Art. / Code DMG MORI | S | H | L | Coolant IN | Coolant OUT |
|-------------|-------------------------|-------|----|-----|------------|-------------|
| 8M3D40 | T00108 | 20x20 | 50 | 120 | x | ✓ |



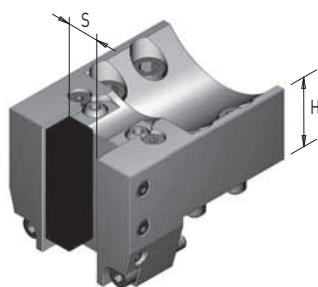
7

| Art. / Code | Art. / Code DMG MORI | S | H | L | Coolant IN | Coolant OUT |
|-------------|-------------------------|-------|----|----|------------|-------------|
| 8M3B20 | T00134 | 20x20 | 68 | 75 | x | ✓ |



8

| Art. / Code | Art. / Code DMG MORI | S | H | L | Coolant IN | Coolant OUT |
|-------------|-------------------------|-------|----|-----|------------|-------------|
| 8M3V40 | T00146 | 20x20 | 35 | 115 | x | ✓ |

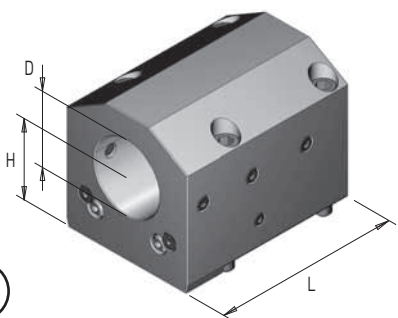
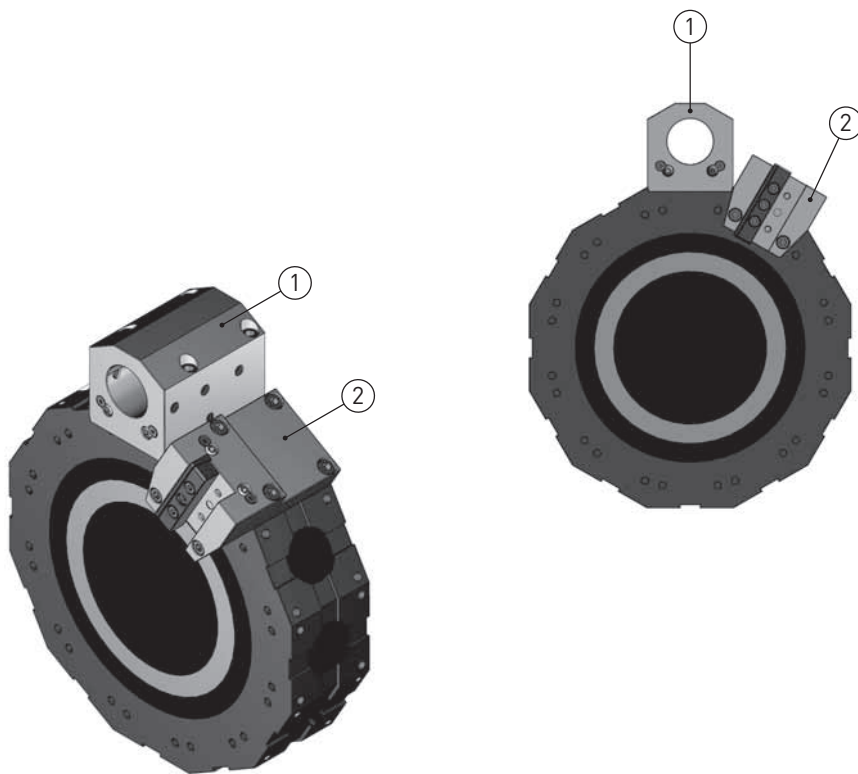
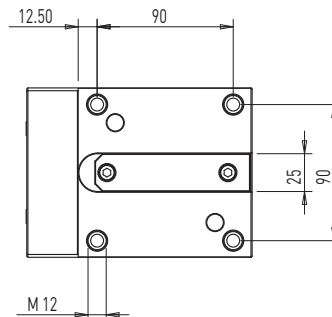


9

| Art. / Code | Art. / Code DMG MORI | S | H | L | Coolant IN | Coolant OUT |
|-------------|-------------------------|-------|----|-----|------------|-------------|
| 8M3T40 | T00078 | 20x20 | 40 | 115 | x | ✓ |

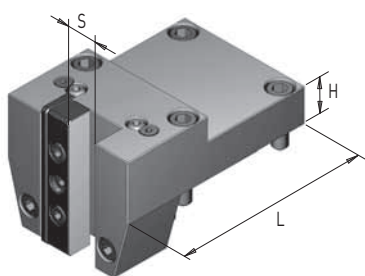
MODELLI / Models
PUMA 400/480 (M, LM, XLM)
PUMA 500 (M)
PUMA V550 (M)
PUMA VT750 (TM, 2SP)

MACCHINE COMPATIBILI / Compatibility machines
Samsung PL 45LM
Hyundai Wia LV800RM / SKT - V80R / RM
SKT 400 M / MA / MC / LMC
Hwacheon HI-TECH 550 / 700 / 7026
VT-550



1

| Art. / Code | Art. / Code DOOSAN | D | H | L | Coolant IN | Coolant OUT |
|-------------|--------------------|----|----|-----|------------|-------------|
| 7D8C60 | / | 60 | 60 | 149 | ✓ | ✓ |
| 7D8C60 R | / | 60 | 60 | 149 | ✓ | ✓ |



2

| Art. / Code | Art. / Code DOOSAN | S | H | L | Coolant IN | Coolant OUT |
|-------------|--------------------|-------|----|-----|------------|-------------|
| 8D8V50 | / | 25x25 | 50 | 165 | x | ✓ |

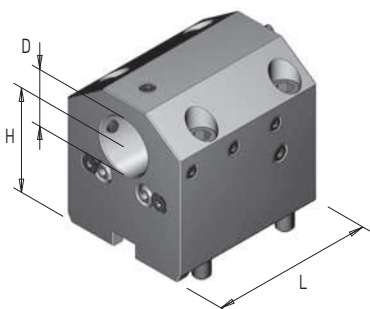
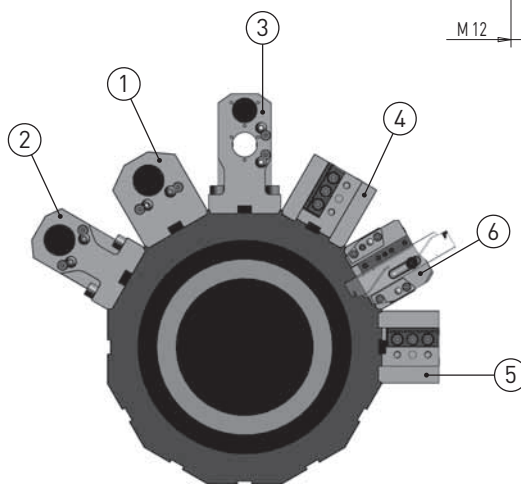
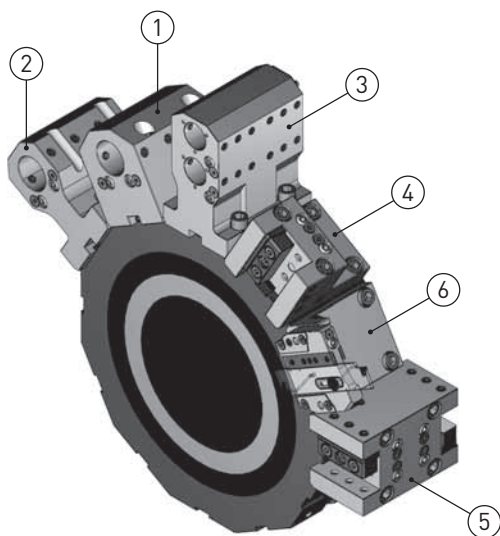
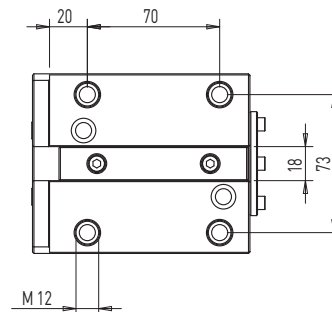


MODELLI / Models

PUMA 2100 / 2600 (M, LM, MS, LMS) (Y, LY, SY, LSY)
 PUMA 300 (M, MS, MB, MC)
 PUMA 3100 (M, LM, LY, XLM, XLY, ULM, ULY)
 PUMA MX2000 / 2500 / 2600 (T, ST)
 PUMA TT2000 / 2500 (MS, MY, SY)
 PUMA TX200 (M, Y, YY)
 PUMA V400 (M) - VT450 (M, 2SP)

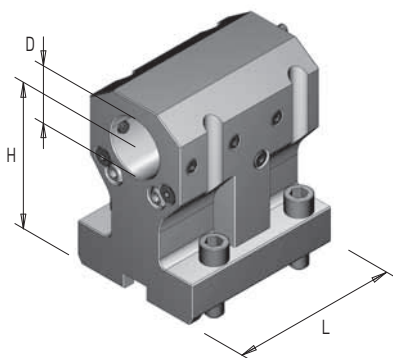
MACCHINE COMPATIBILI / Compatibility machines

Samsung PL 20/25M - PL 35LM - PL2000/2500Y
 Hyundai Wia L300M / MS - L2100 SY
 LM 2000 / 2500 TTM / 2500 TTMS / 2500 TTSY
 SKT200 / 250 / 250 (TTM, MS, SY) / 300 (M, MS)
 Hwacheon CUTEX-240 / HI-TECH 200 / T2-SERIES
 HI-TECH 300/400
 VT-450
 Victor VTURN-A26



1

| Art. / Code | Art. / Code DOOSAN | D | H | L | Coolant IN | Coolant OUT |
|-------------|--------------------|----|----|-----|------------|-------------|
| 7D7C40 | / | 40 | 72 | 115 | ✓ | ✓ |
| 7D7C40 R | / | 40 | 72 | 115 | ✓ | ✓ |



2

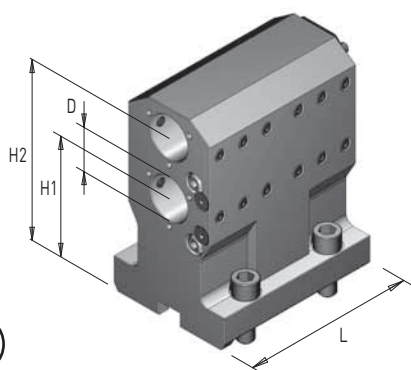
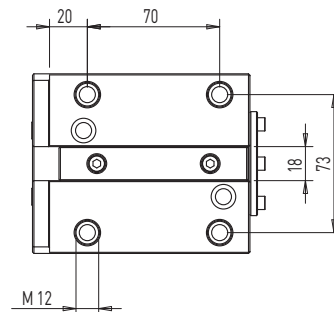
| Art. / Code | Art. / Code DOOSAN | D | H | L | Coolant IN | Coolant OUT |
|---------------|--------------------|----|-----|-----|------------|-------------|
| 7D7C40 H100 | / | 40 | 100 | 115 | ✓ | ✓ |
| 7D7C40 R H100 | / | 40 | 100 | 115 | ✓ | ✓ |

MODELLI / Models

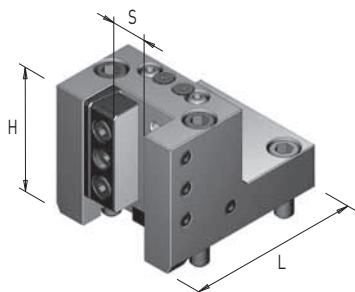
PUMA 2100 / 2600 (M, LM, MS, LMS) (Y, LY, SY, LSY)
PUMA 300 (M, MS, MB, MC)
PUMA 3100 (M, LM, LY, XLM, XLY, ULM, ULY)
PUMA MX2000 / 2500 / 2600 (T, ST)
PUMA TT2000 / 2500 (MS, MY, SY)
PUMA TX200 (M, Y, YY)
PUMA V400 (M) - VT450 (M, 2SP)

MACCHINE COMPATIBILI / Compatibility machines

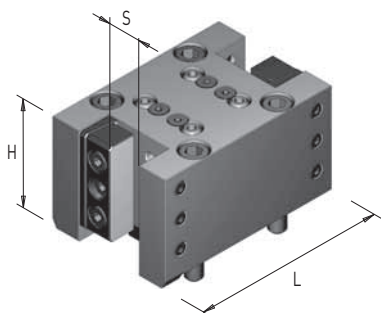
Samsung PL 20/25M - PL 35LM - PL2000/2500Y
Hyundai Wia L300M / MS - L2100 SY
LM 2000 / 2500 TTM / 2500 TTMS / 2500 TTSY
SKT200 / 250 / 250 (TTM, MS, SY) / 300 (M, MS)
Hwacheon CUTEX-240 / HI-TECH 200 / T2-SERIES
HI-TECH 300/400
VT-450
Victor VTURN-A26


3

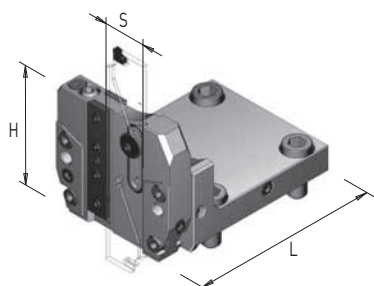
| Art. / Code | Art. / Code DOOSAN | D | H1 | H2 | L | Coolant IN | Coolant OUT |
|-----------------|--------------------|----|----|-----|-----|------------|-------------|
| 7D7D32 | / | 32 | 85 | 130 | 125 | ✓ | ✓ |
| 7D7D32 R | / | 32 | 85 | 130 | 125 | ✓ | ✓ |


4

| Art. / Code | Art. / Code DOOSAN | S | H | L | Coolant IN | Coolant OUT |
|---------------|--------------------|-------|----|-----|------------|-------------|
| 8D7V50 | / | 25x25 | 85 | 120 | x | ✓ |


5

| Art. / Code | Art. / Code DOOSAN | S | H | L | Coolant IN | Coolant OUT |
|---------------|--------------------|-------|----|-----|------------|-------------|
| 8D7D50 | / | 25x25 | 65 | 148 | x | ✓ |


6

| Art. / Code | Art. / Code DOOSAN | S | H | L | Coolant IN | Coolant OUT |
|---------------|--------------------|---------|----|-----|------------|-------------|
| 8D7B32 | / | ISCAR32 | 78 | 129 | ✓ | ✓ |

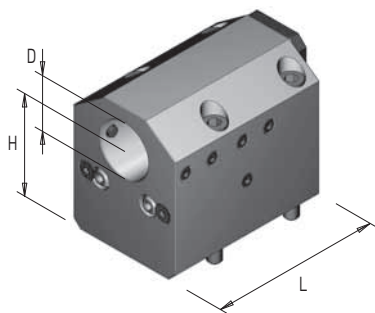
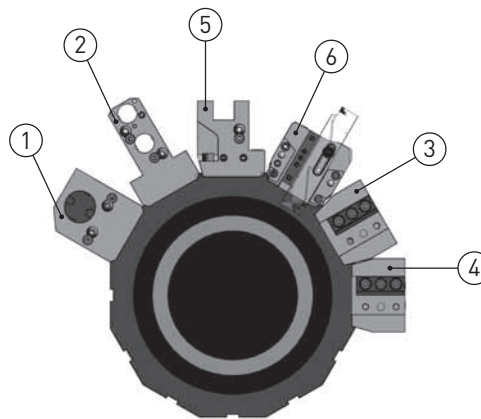
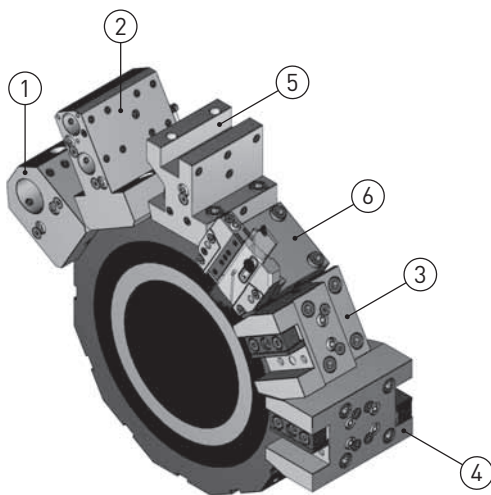
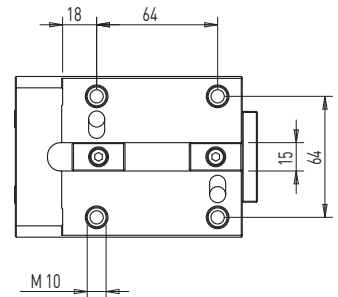


MODELLI / Models

LYNX 300 (M)
PUMA 230 / 240 / 280 (M, LM, S)
PUMA 1500 / 2000 / 2500 (M, S, Y)
PUMA 2100 (Y, LY, SY, LSY)
PUMA GT 2100M
PUMA H 250TM
PUMA MX 2100 (ST, LST)
PUMA TL 2000 / 2500 (M, LM)
PUMA TT 1500 / 1800 (MS, SY)

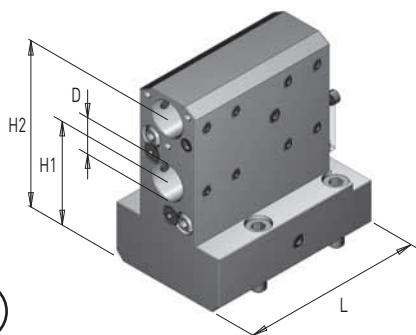
MACCHINE COMPATIBILI / Compatibility machines

Samsung PL 240LM
Hardinge T-51 / 65 super precision - H51
Hyundai Wia L230 LMSA
SKT-160 / 180 TTMS / TTSY
LM 1600 / 1800 TTSY
Hwacheon CUTEX-160 / 240 / T2



1

| Art. / Code | Art. / Code DOOSAN | D | H | L | Coolant IN | Coolant OUT |
|-------------|--------------------|----|----|-----|------------|-------------|
| 7D6C40 | L61590327D | 40 | 70 | 120 | ✓ | ✓ |
| 7D6C40 R | L61590327D | 40 | 70 | 120 | ✓ | ✓ |



2

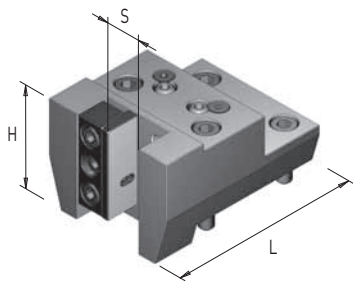
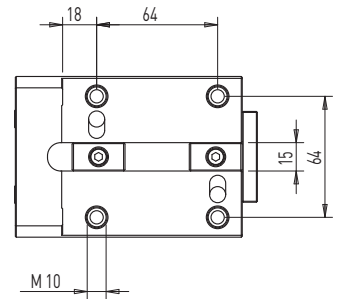
| Art. / Code | Art. / Code DOOSAN | D | H1 | H2 | L | Coolant IN | Coolant OUT |
|-------------|--------------------|----|----|-----|-----|------------|-------------|
| 7D6D25 | L61590357D | 25 | 70 | 115 | 126 | ✓ | ✓ |
| 7D6D25 R | L61590357D | 25 | 70 | 115 | 126 | ✓ | ✓ |

MODELLI / Models

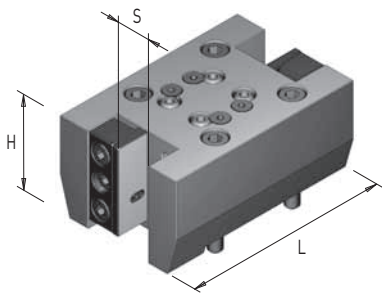
LYNX 300 (M)
PUMA 230 / 240 / 280 (M, LM, S)
PUMA 1500 / 2000 / 2500 (M, S, Y)
PUMA 2100 (Y, LY, SY, LSY)
PUMA GT 2100M
PUMA H 250TM
PUMA MX 2100 (ST, LST)
PUMA TL 2000 / 2500 (M, LM)
PUMA TT 1500 / 1800 (MS, SY)

MACCHINE COMPATIBILI / Compatibility machines

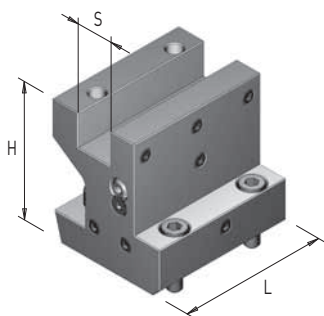
Samsung PL 240LM
Hardinge T-51 / 65 super precision - H51
Hyundai Wia L230 LMSA
SKT-160 / 180 TTMS / TTSY
LM 1600 / 1800 TTSY
Hwacheon CUTEX-160 / 240 / T2


3

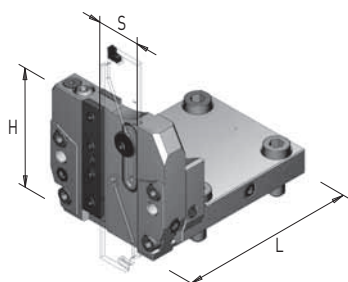
| Art. / Code | Art. / Code DOOSAN | S | H | L | Coolant IN | Coolant OUT |
|---------------|--------------------|-------|----|-----|------------|-------------|
| 8D6V50 | L31560517B | 25x25 | 60 | 126 | X | ✓ |


4

| Art. / Code | Art. / Code DOOSAN | S | H | L | Coolant IN | Coolant OUT |
|---------------|--------------------|-------|----|-----|------------|-------------|
| 8D6D50 | L61590347A | 25x25 | 65 | 148 | X | ✓ |


5

| Art. / Code | Art. / Code DOOSAN | S | H | L | Coolant IN | Coolant OUT |
|---------------|--------------------|-------|----|-----|------------|-------------|
| 8D6C25 | L31560537C | 25x25 | 95 | 105 | X | ✓ |

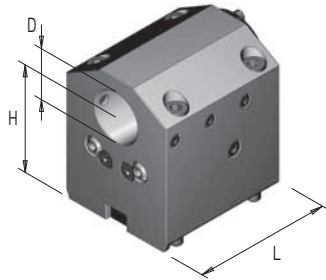
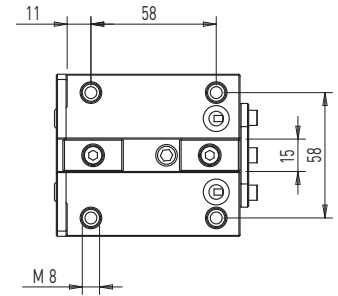
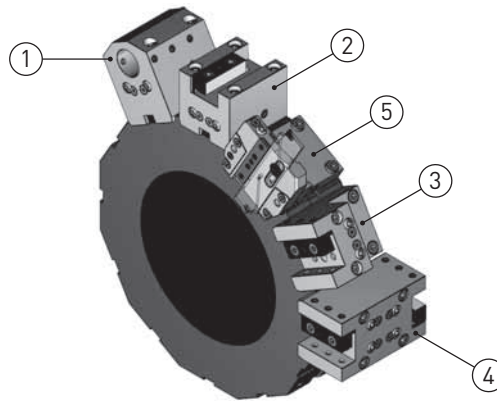

6

| Art. / Code | Art. / Code DOOSAN | S | H | L | Coolant IN | Coolant OUT |
|---------------|--------------------|---------|----|-----|------------|-------------|
| 8D6B32 | / | ISCAR32 | 78 | 119 | ✓ | ✓ |



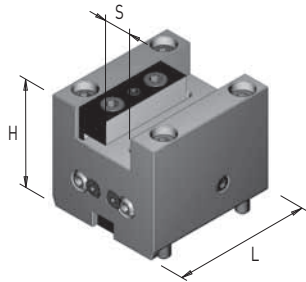
MODELLI / Models
LYNX220 (M, MS, LM)
PUMA MX 1600 (ST)

MACCHINE COMPATIBILI / Compatibility machines
Samsung PL 1600M/MC
Hardinge T-42 super precision



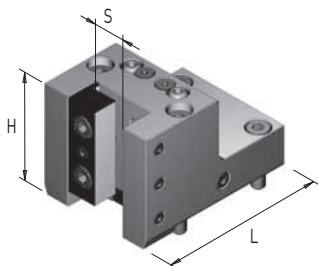
1

| Art. / Code | Art. / Code DOOSAN | D | H | L | Coolant IN | Coolant OUT |
|--------------|--------------------|----|----|----|------------|-------------|
| 7D5C32 H65 | / | 32 | 65 | 85 | ✓ | ✓ |
| 7D5C32 R H65 | / | 32 | 65 | 85 | ✓ | ✓ |



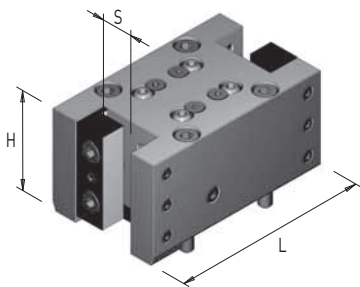
2

| Art. / Code | Art. / Code DOOSAN | S | H | L | Coolant IN | Coolant OUT |
|-------------|--------------------|-------|----|----|------------|-------------|
| 8D5C40 | / | 20x20 | 65 | 85 | x | ✓ |



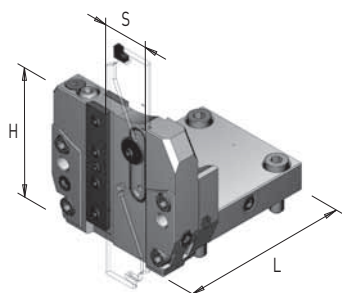
3

| Art. / Code | Art. / Code DOOSAN | S | H | L | Coolant IN | Coolant OUT |
|-------------|--------------------|-------|----|-----|------------|-------------|
| 8D5V40 | / | 20x20 | 65 | 102 | x | ✓ |



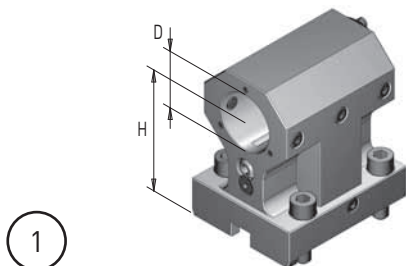
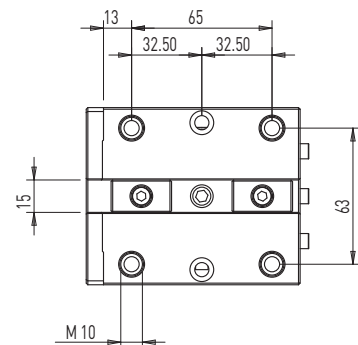
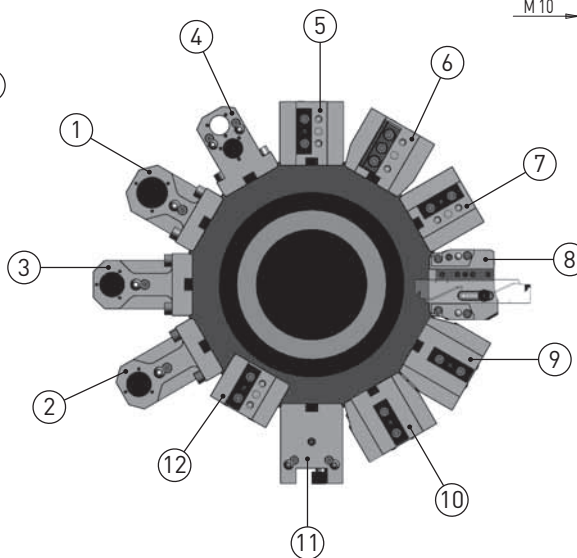
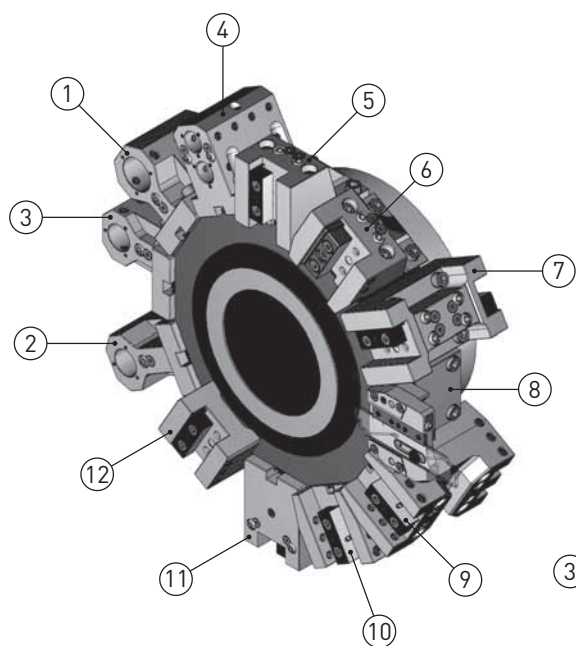
4

| Art. / Code | Art. / Code DOOSAN | S | H | L | Coolant IN | Coolant OUT |
|-------------|--------------------|-------|----|-----|------------|-------------|
| 8D5D40 | / | 20x20 | 60 | 124 | x | ✓ |

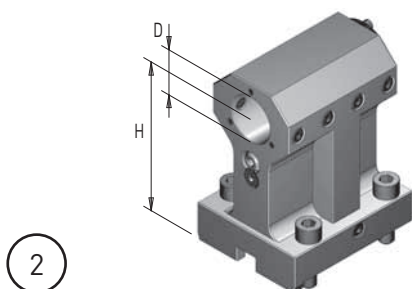


5

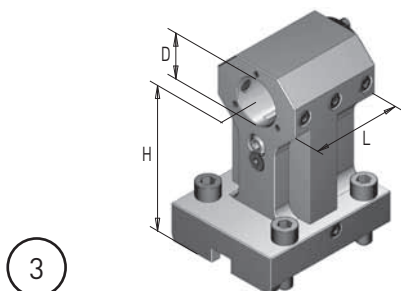
| Art. / Code | Art. / Code DOOSAN | S | H | L | Coolant IN | Coolant OUT |
|-------------|--------------------|---------|----|-----|------------|-------------|
| 8D5B32 | / | ISCAR32 | 79 | 105 | ✓ | ✓ |

MODELLI / Models
B301 - B445 - B470 - B501 (Y - S) - B510 - B545 - B550 - B565 - B650 - B658
B1200 - B446 - B465 - B754 - B765 - B750 (16 station turret) - B1250 (16 station turret)

1

| Art. / Code | Art. / Code BIGLIA | D | H | Coolant IN | Coolant OUT |
|-----------------|-----------------------|----|----|------------|-------------|
| 7B6C32 | 10.57.75.00 | 32 | 80 | ✓ | ✓ |
| 7B6C32 R | 10.57.75.00 | 32 | 80 | ✓ | ✓ |
| 7B6C40 | 10.88.15.00 | 40 | 80 | ✓ | ✓ |
| 7B6C40 R | 10.88.15.00 | 40 | 80 | ✓ | ✓ |


2

| Art. / Code | Art. / Code BIGLIA | D | H | Coolant IN | Coolant OUT |
|----------------------|-----------------------|----|-----|------------|-------------|
| 7B6C32 H100 | 10.88.27.00 | 32 | 100 | ✓ | ✓ |
| 7B6C32 R H100 | 10.88.27.00 | 32 | 100 | ✓ | ✓ |


3

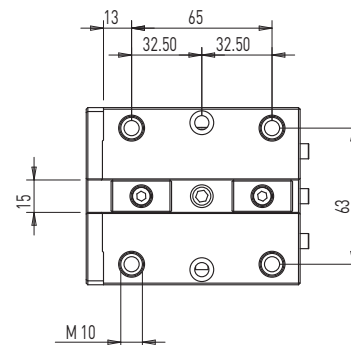
| Art. / Code | Art. / Code BIGLIA | D | H | L | Coolant IN | Coolant OUT |
|----------------------|-----------------------|----|-----|----|------------|-------------|
| 7B6A32 H100 | 10.88.28.00 | 32 | 100 | 66 | ✓ | ✓ |
| 7B6A32 R H100 | 10.88.28.00 | 32 | 100 | 66 | ✓ | ✓ |



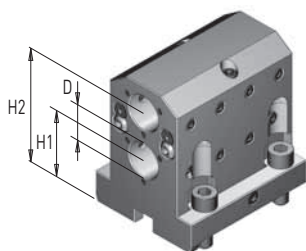
MODELLI / Models

B301 - B445 - B470 - B501 (Y - S) - B510 - B545 - B550 - B565 - B650 - B658

B1200 - B446 - B465 - B754 - B765 - B750 (16 station turret) - B1250 (16 station turret)

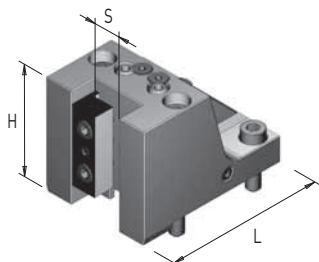


4



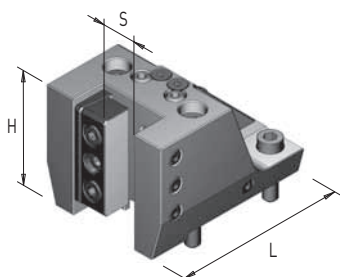
| Art. / Code | Art. / Code BIGLIA | D | H1 | H2 | Coolant IN | Coolant OUT |
|-------------|--------------------|----|----|----|------------|-------------|
| 7B6D25 | 41.03.29.00 | 25 | 45 | 80 | ✓ | ✓ |
| 7B6D25 R | 41.03.29.00 | 25 | 45 | 80 | ✓ | ✓ |

5



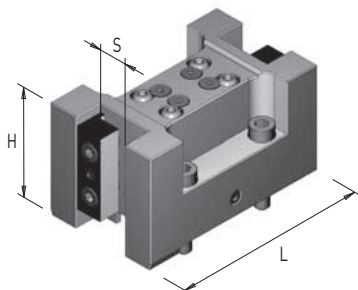
| Art. / Code | Art. / Code BIGLIA | S | H | L | Coolant IN | Coolant OUT |
|-------------|--------------------|-------|----|-----|------------|-------------|
| 8B6V40 | 10.57.60.00 | 20x20 | 79 | 116 | x | ✓ |

6



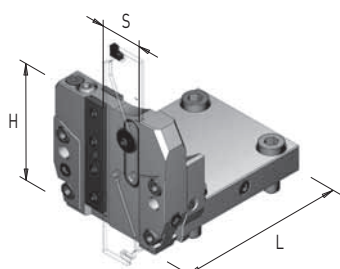
| Art. / Code | Art. / Code BIGLIA | S | H | L | Coolant IN | Coolant OUT |
|-------------|--------------------|-------|----|-----|------------|-------------|
| 8B6V50 | 10.88.16.00 | 25x25 | 79 | 121 | x | ✓ |

7

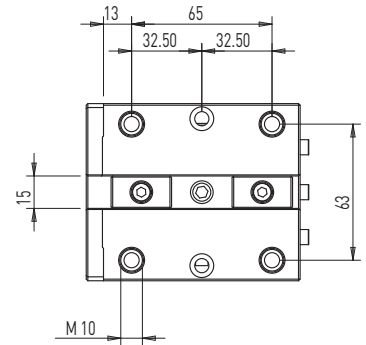
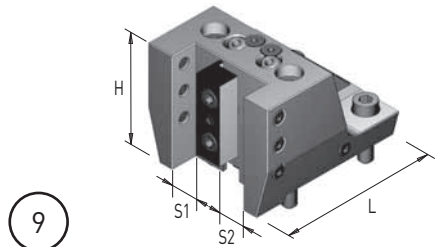


| Art. / Code | Art. / Code BIGLIA | S | H | L | Coolant IN | Coolant OUT |
|-------------|--------------------|-------|----|-----|------------|-------------|
| 8B6D40 | 10.57.76.00 | 20x20 | 76 | 139 | x | ✓ |

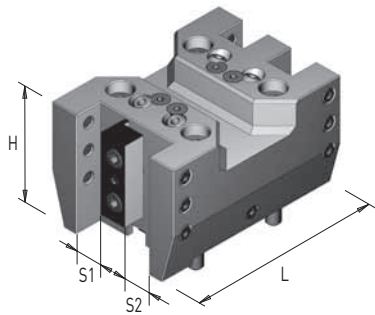
8



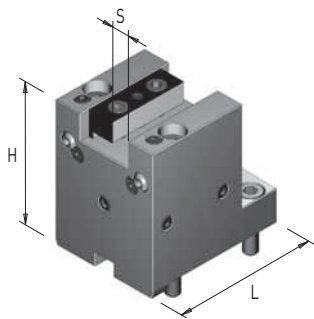
| Art. / Code | Art. / Code BIGLIA | S | H | L | Coolant IN | Coolant OUT |
|-------------|--------------------|---------|----|-----|------------|-------------|
| 8B6B32 | / | ISCAR32 | 79 | 116 | ✓ | ✓ |

MODELLI / Models
B301 - B445 - B470 - B501 (Y - S) - B510 - B545 - B550 - B565 - B650 - B658
B1200 - B446 - B465 - B754 - B765 - B750 (16 station turret) - B1250 (16 station turret)

6

9

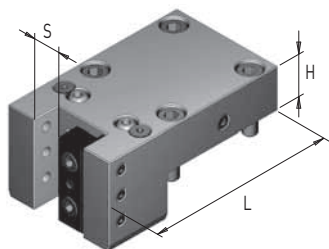
| Art. / Code | Art. / Code BIGLIA | S1 | S2 | H | L | Coolant IN | Coolant OUT |
|-----------------|--------------------|-------|-------|----|-----|------------|-------------|
| 8B6V20 D | 41.03.25.00 | 20x20 | 20x20 | 79 | 116 | X | ✓ |


10

| Art. / Code | Art. / Code BIGLIA | S1 | S2 | H | L | Coolant IN | Coolant OUT |
|-----------------|--------------------|-------|-------|----|-----|------------|-------------|
| 8B6D20 Q | / | 20x20 | 20x20 | 81 | 140 | X | ✓ |


11

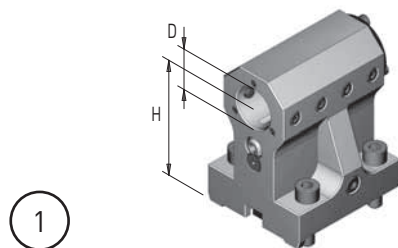
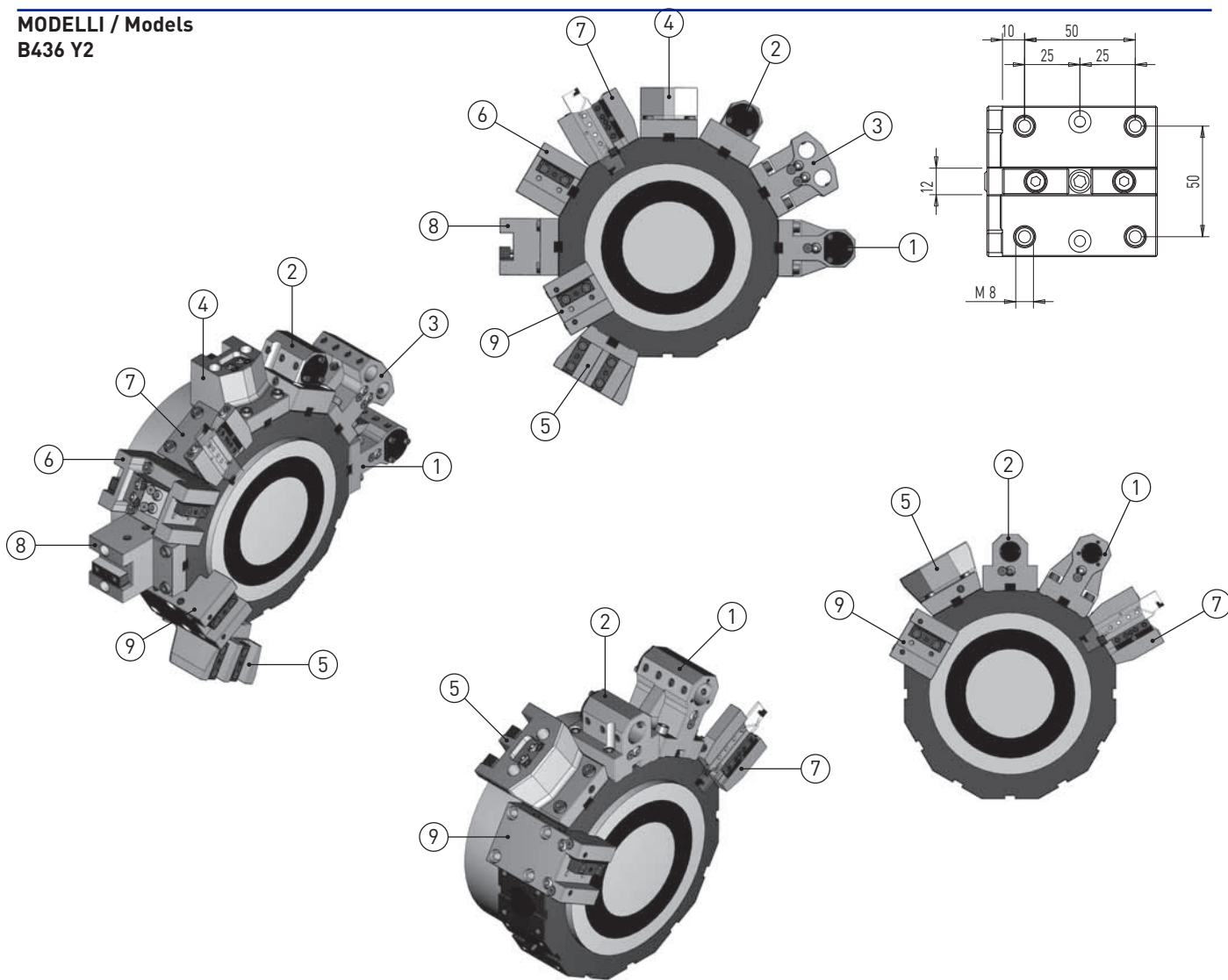
| Art. / Code | Art. / Code BIGLIA | S | H | L | Coolant IN | Coolant OUT |
|---------------|--------------------|-------|-----|-----|------------|-------------|
| 8B6C40 | 41.03.19.00 | 20x20 | 100 | 104 | X | ✓ |


12

| Art. / Code | Art. / Code BIGLIA | S | H | L | Coolant IN | Coolant OUT |
|-----------------|--------------------|-------|----|----|------------|-------------|
| 8B6V40 L | / | 20x20 | 32 | 40 | X | ✓ |

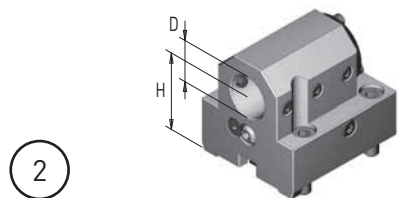


MODELLI / Models
B436 Y2



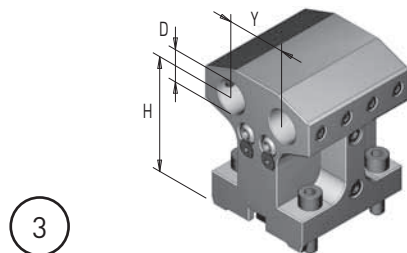
1

| Art. / Code | Art. / Code BIGLIA | D | H | Coolant IN | Coolant OUT |
|--------------|-----------------------|----|----|------------|-------------|
| 7B4C20 H70 | 0088-00003 | 20 | 70 | ✓ | ✓ |
| 7B4C20 R H70 | 0088-00003 | 20 | 70 | ✓ | ✓ |
| 7B4C25 H70 | D25.0088-00003 | 25 | 70 | ✓ | ✓ |
| 7B4C25 R H70 | D25.0088-00003 | 25 | 70 | ✓ | ✓ |



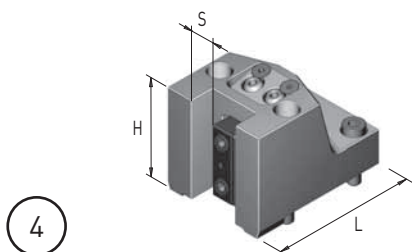
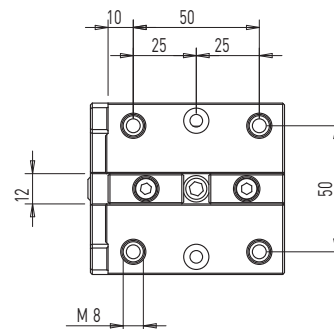
2

| Art. / Code | Art. / Code BIGLIA | D | H | Coolant IN | Coolant OUT |
|--------------|-----------------------|----|----|------------|-------------|
| 7B4C20 H45 | 0088-00019 | 20 | 45 | ✓ | ✓ |
| 7B4C20 R H45 | 0088-00019 | 20 | 45 | ✓ | ✓ |
| 7B4C25 H45 | D25.0088-00019 | 25 | 45 | ✓ | ✓ |
| 7B4C25 R H45 | D25.0088-00019 | 25 | 45 | ✓ | ✓ |

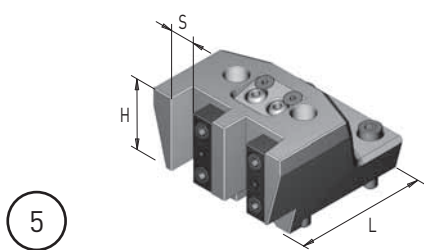


3

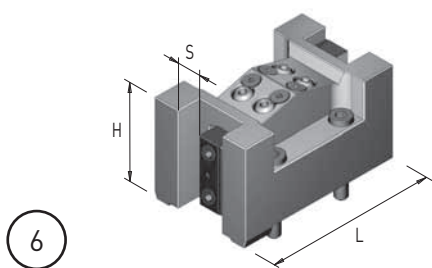
| Art. / Code | Art. / Code BIGLIA | D | H | Y | Coolant IN | Coolant OUT |
|-------------|-----------------------|----|----|----|------------|-------------|
| 7B4D20 Y38 | 0088-00010 | 20 | 70 | 38 | ✗ | ✓ |

**MODELLI / Models
B436 Y2**


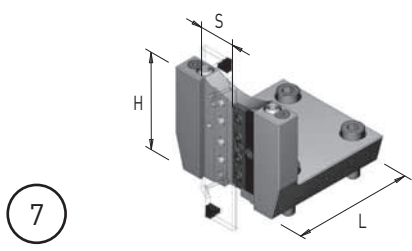
| Art. / Code | Art. / Code BIGLIA | S | H | L | Coolant IN | Coolant OUT |
|-------------|--------------------|-------|----|----|------------|-------------|
| 8B4V32 | 0088-00004 | 16x16 | 60 | 90 | X | ✓ |



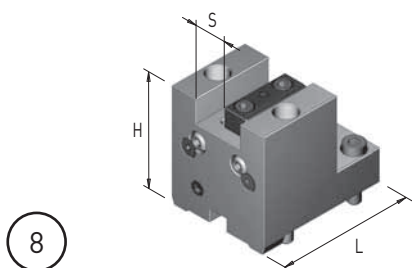
| Art. / Code | Art. / Code BIGLIA | S | H | L | Coolant IN | Coolant OUT |
|-------------|--------------------|-------|----|-----|------------|-------------|
| 8B4V16 D | 0088-00011 | 16x16 | 60 | 100 | X | ✓ |



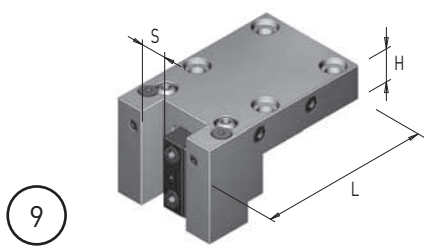
| Art. / Code | Art. / Code BIGLIA | S | H | L | Coolant IN | Coolant OUT |
|-------------|--------------------|-------|----|-----|------------|-------------|
| 8B4D32 | 088-00005 | 16x16 | 60 | 110 | X | ✓ |



| Art. / Code | Art. / Code BIGLIA | S | H | L | Coolant IN | Coolant OUT |
|-------------|--------------------|---------|----|----|------------|-------------|
| 8B4B26 B | / | ISCAR26 | 66 | 82 | X | ✓ |



| Art. / Code | Art. / Code BIGLIA | S | H | L | Coolant IN | Coolant OUT |
|-------------|--------------------|-------|----|----|------------|-------------|
| 8B4C32 | 0088-00014 | 16x16 | 70 | 85 | X | ✓ |

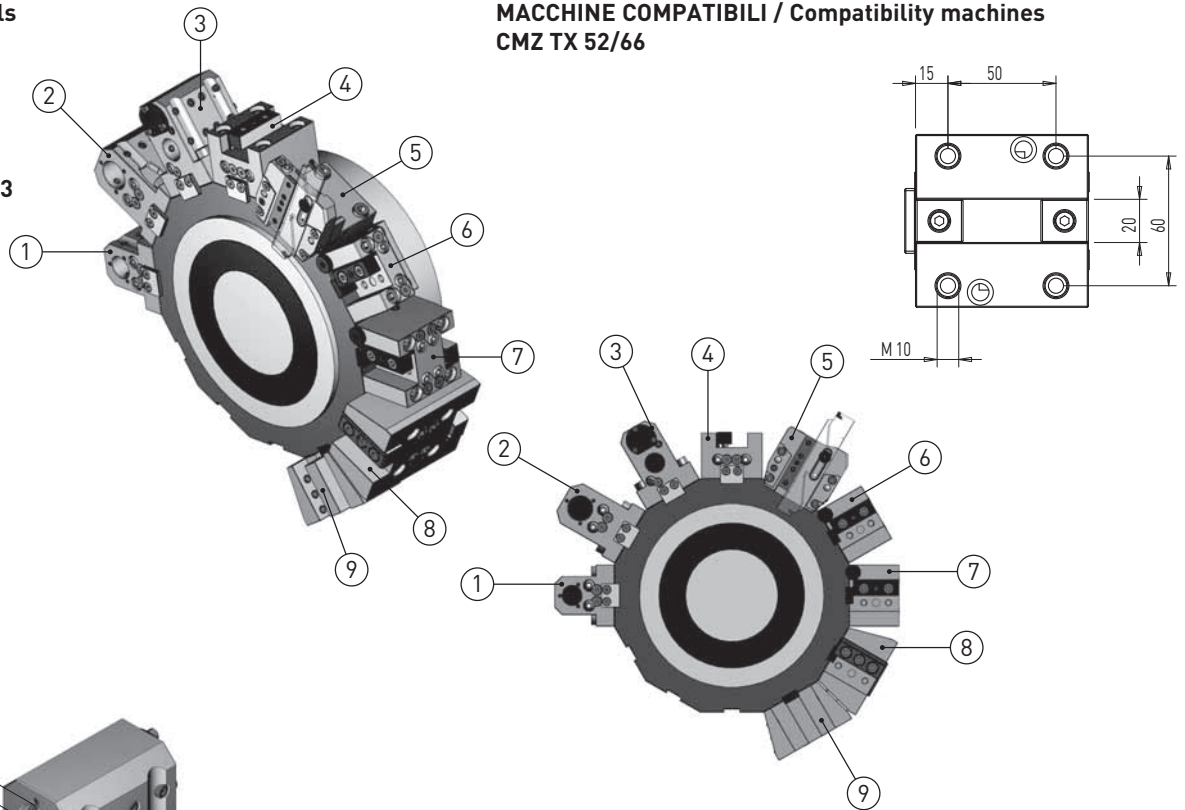


| Art. / Code | Art. / Code BIGLIA | S | H | L | Coolant IN | Coolant OUT |
|-------------|--------------------|-------|----|-----|------------|-------------|
| 8B4V32 L | 088-00006 | 16x16 | 22 | 110 | X | ✓ |

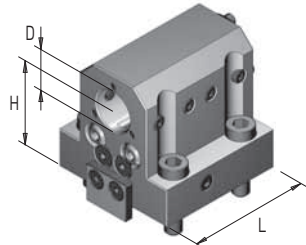


MODELLI / Models
WT 150/250
WTW 150
WTS 150
WT 20II (M, MY)
TW 10
SUPER NTJ/NTM3
SC 150/250

MACCHINE COMPATIBILI / Compatibility machines
CMZ TX 52/66

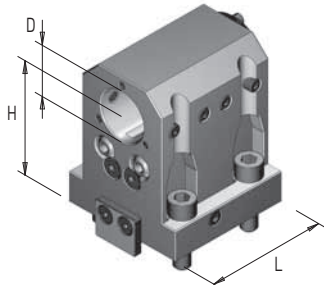


1



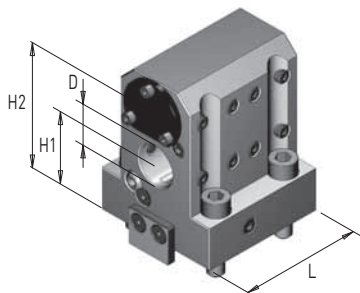
| Art. / Code | Art. / Code NAKAMURA | D | H | L | Coolant IN | Coolant OUT |
|--------------|----------------------|----|----|----|------------|-------------|
| 7N4C25 H55 | / | 25 | 55 | 80 | ✓ | ✓ |
| 7N4C25 R H55 | / | 25 | 55 | 80 | ✓ | ✓ |

2



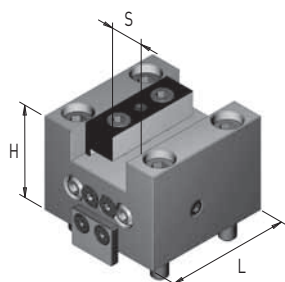
| Art. / Code | Art. / Code NAKAMURA | D | H | L | Coolant IN | Coolant OUT |
|--------------|----------------------|----|----|----|------------|-------------|
| 7N4C32 H75 | / | 32 | 75 | 80 | ✓ | ✓ |
| 7N4C32 R H75 | / | 32 | 75 | 80 | ✓ | ✓ |
| 7N4C40 H75 | / | 40 | 75 | 80 | ✓ | ✓ |
| 7N4C40 R H75 | / | 40 | 75 | 80 | ✓ | ✓ |

3



| Art. / Code | Art. / Code NAKAMURA | D | H1 | H2 | L | Coolant IN | Coolant OUT |
|-------------|----------------------|----|------|------|----|------------|-------------|
| 7N4D25 | / | 25 | 47.5 | 82.5 | 80 | ✓ | ✓ |
| 7N4D25 R | / | 25 | 47.5 | 82.5 | 80 | ✓ | ✓ |

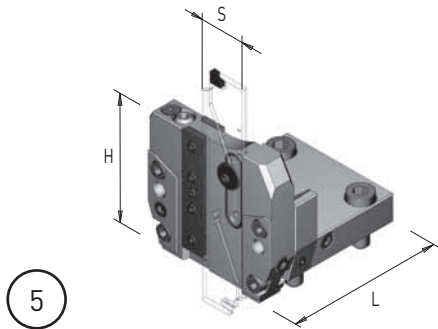
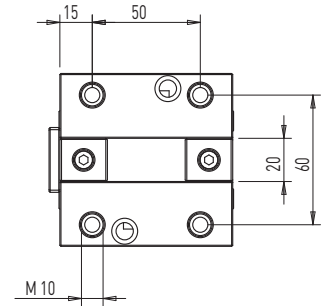
4



| Art. / Code | Art. / Code NAKAMURA | S | H | L | Coolant IN | Coolant OUT |
|-------------|----------------------|-------|----|----|------------|-------------|
| 8N4C40 | / | 20x20 | 60 | 80 | x | ✓ |

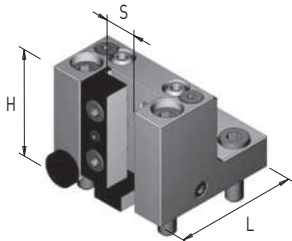
MODELLI / Models
 WT 150/250
 WTW 150
 WTS 150
 WT 20II (M, MY)
 TW 10
 SUPER NTJ/NTM3
 SC 150/250

MACCHINE COMPATIBILI / Compatibility machines
 CMZ TX 52/66



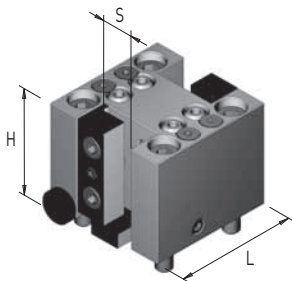
5

| Art. / Code | Art. / Code NAKAMURA | S | H | L | Coolant IN | Coolant OUT |
|-------------|----------------------|---------|----|----|------------|-------------|
| 8N4B32 | / | ISCAR32 | 78 | 99 | ✓ | ✓ |



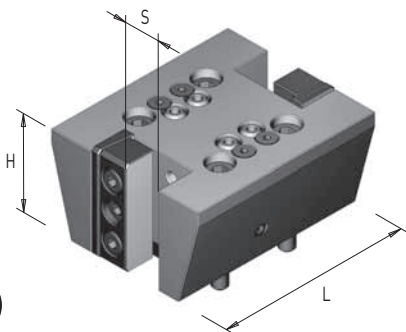
6

| Art. / Code | Art. / Code NAKAMURA | S | H | L | Coolant IN | Coolant OUT |
|-------------|----------------------|-------|----|----|------------|-------------|
| 8N4V40 | / | 20x20 | 65 | 80 | x | ✓ |



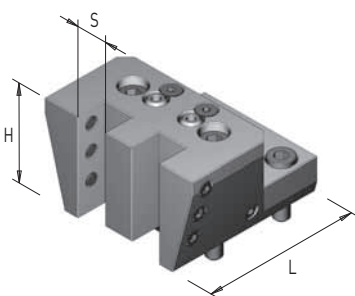
7

| Art. / Code | Art. / Code NAKAMURA | S | H | L | Coolant IN | Coolant OUT |
|-------------|----------------------|-------|----|----|------------|-------------|
| 8N4D40 | / | 20x20 | 65 | 80 | x | ✓ |



8

| Art. / Code | Art. / Code NAKAMURA | S | H | L | Coolant IN | Coolant OUT |
|-------------|----------------------|-------|----|-----|------------|-------------|
| 8N4D50 | / | 25x25 | 65 | 132 | x | ✓ |

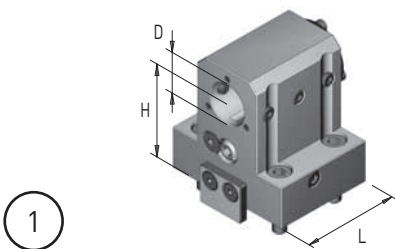
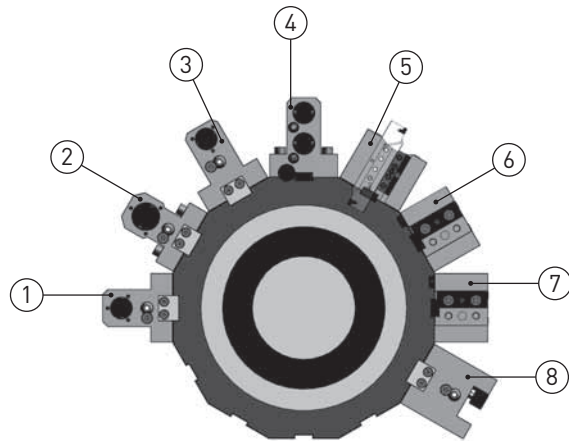
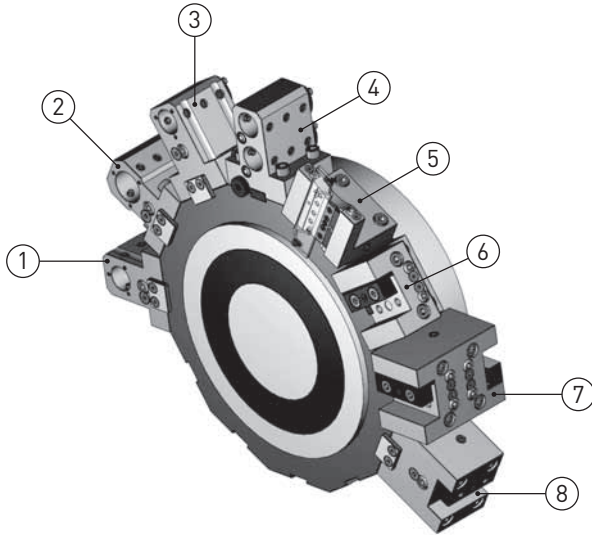
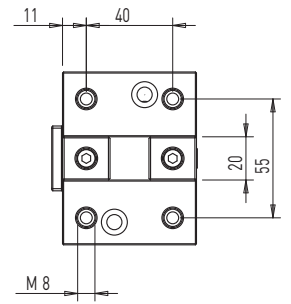


9

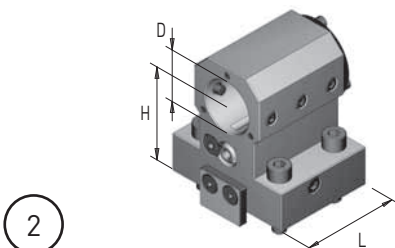
| Art. / Code | Art. / Code NAKAMURA | S | H | L | Coolant IN | Coolant OUT |
|-------------|----------------------|-------|----|-----|------------|-------------|
| 8N4V20 D | / | 20x20 | 65 | 106 | x | ✓ |



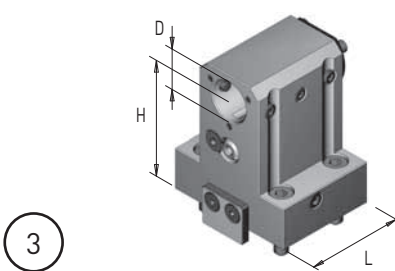
MODELLI / Models
WT 100 - WY 100
NTY 3 - NTJ 100



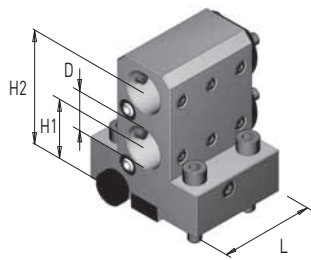
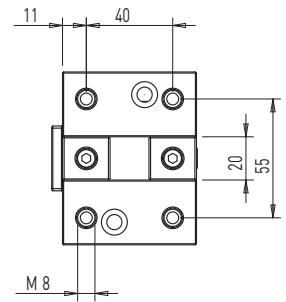
| Art. / Code | Art. / Code NAKAMURA | D | H | L | Coolant IN | Coolant OUT |
|--------------|----------------------|----|----|----|------------|-------------|
| 7N3C25 H60 | / | 25 | 60 | 62 | ✓ | ✓ |
| 7N3C25 R H60 | / | 25 | 60 | 62 | ✓ | ✓ |



| Art. / Code | Art. / Code NAKAMURA | D | H | L | Coolant IN | Coolant OUT |
|--------------|----------------------|----|----|----|------------|-------------|
| 7N3C32 H60 | / | 32 | 60 | 62 | ✓ | ✓ |
| 7N3C32 R H60 | / | 32 | 60 | 62 | ✓ | ✓ |

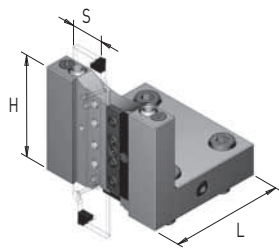


| Art. / Code | Art. / Code NAKAMURA | D | H | L | Coolant IN | Coolant OUT |
|--------------|----------------------|----|----|----|------------|-------------|
| 7N3C25 H75 | / | 25 | 75 | 62 | ✓ | ✓ |
| 7N3C25 R H75 | / | 25 | 75 | 62 | ✓ | ✓ |

MODELLI / Models
WT 100 - WY 100
NTY 3 - NTJ 100


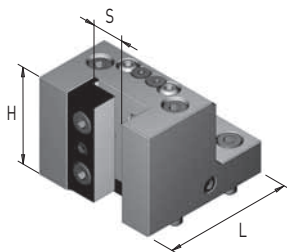
4

| Art. / Code | Art. / Code NAKAMURA | D | H1 | H2 | L | Coolant IN | Coolant OUT |
|---------------|----------------------|----|----|----|----|------------|-------------|
| 7N3D25 | / | 25 | 39 | 75 | 62 | ✓ | ✓ |



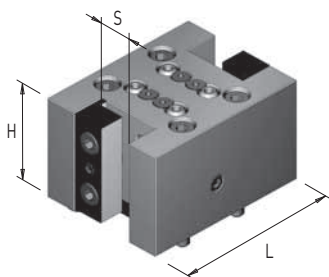
5

| Art. / Code | Art. / Code NAKAMURA | S | H | L | Coolant IN | Coolant OUT |
|-----------------|----------------------|---------|----|----|------------|-------------|
| 8N3B26 B | / | ISCAR26 | 66 | 73 | X | ✓ |



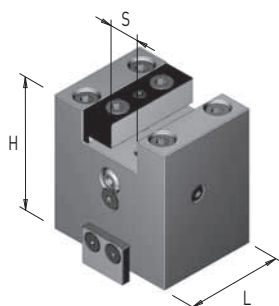
6

| Art. / Code | Art. / Code NAKAMURA | S | H | L | Coolant IN | Coolant OUT |
|---------------|----------------------|-------|----|----|------------|-------------|
| 8N3V40 | / | 20x20 | 62 | 83 | X | ✓ |



7

| Art. / Code | Art. / Code NAKAMURA | S | H | L | Coolant IN | Coolant OUT |
|---------------|----------------------|-------|----|-----|------------|-------------|
| 8N3D40 | / | 20x20 | 62 | 104 | X | ✓ |



8

| Art. / Code | Art. / Code NAKAMURA | S | H | L | Coolant IN | Coolant OUT |
|---------------|----------------------|-------|----|----|------------|-------------|
| 8N3C40 | / | 20x20 | 85 | 62 | X | ✓ |



MODELLI / Models

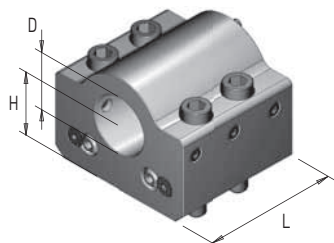
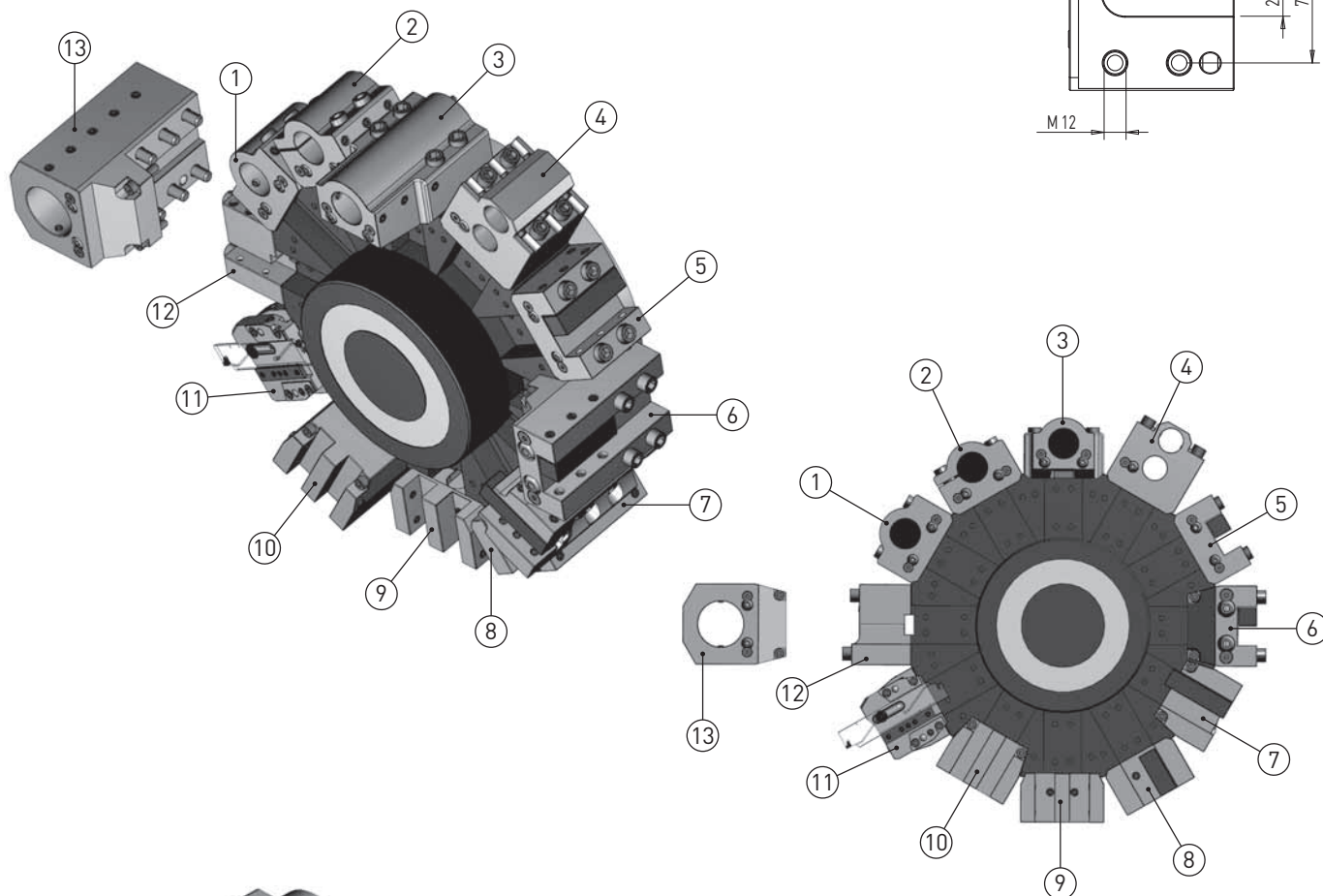
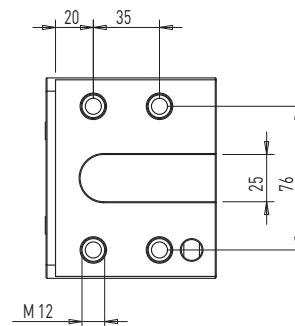
TBI 520

TL 20/25

TC 15/20/25/30/35

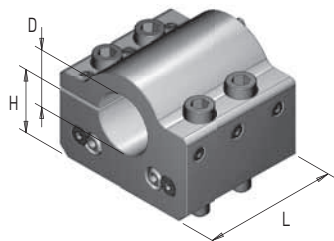
TA 15M/Y/MS/MY/YS - TA 20M/Y/MS/MY/YS

TA 25M/Y/MS/MY/YS - TA 30M/Y/MS/MY/YS



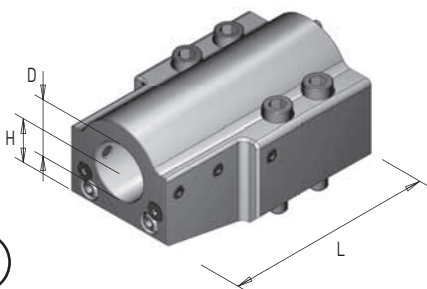
1

| Art. / Code | Art. / Code CMZ | D | H | L | Coolant IN | Coolant OUT |
|-------------|-----------------|----|----|----|------------|-------------|
| 7C6C40 | TL20/10000/09 | 40 | 40 | 90 | ✓ | ✓ |
| 7C6C40 R | TL20/10000/12 | 40 | 40 | 90 | ✓ | ✓ |
| 7C6C50 | TL20/10000/40 | 50 | 40 | 90 | ✓ | ✓ |
| 7C6C50 R | TL20/10000/40 | 50 | 40 | 90 | ✓ | ✓ |



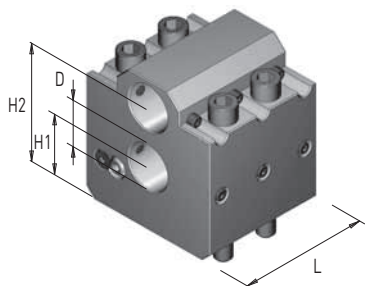
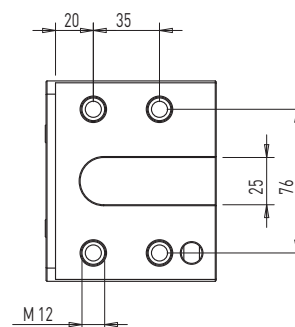
2

| Art. / Code | Art. / Code CMZ | D | H | L | Coolant IN | Coolant OUT |
|-------------|-----------------|----|----|----|------------|-------------|
| 7C6C40 B | / | 40 | 40 | 90 | ✗ | ✓ |

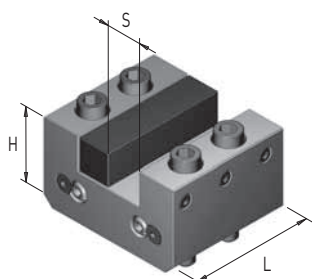


3

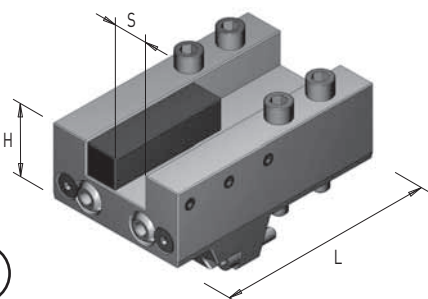
| Art. / Code | Art. / Code CMZ | D | H | L | Coolant IN | Coolant OUT |
|-------------|-----------------|----|----|-----|------------|-------------|
| 7C6L40 | TL20/10000/10 | 40 | 40 | 160 | ✓ | ✓ |
| 7C6L40 R | TL20/10000/10 | 40 | 40 | 160 | ✓ | ✓ |
| 7C6L50 | TL20/10000/39 | 50 | 40 | 160 | ✓ | ✓ |
| 7C6L50 R | TL20/10000/39 | 50 | 40 | 160 | ✓ | ✓ |

MODELLI / Models
TBI 520
TL 20/25
TC 15/20/25/30/35
TA 15M/Y/MS/MY/YS - TA 20M/Y/MS/MY/YS
TA 25M/Y/MS/MY/YS - TA 30M/Y/MS/MY/YS

4

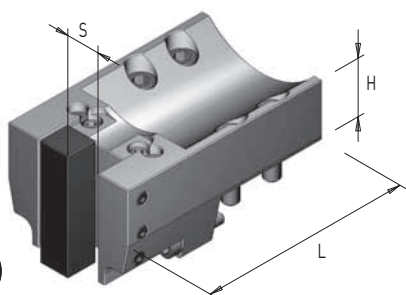
| Art. / Code | Art. / Code CMZ | D | H1 | H2 | L | Coolant IN | Coolant OUT |
|---------------|----------------------|----|----|----|----|------------|-------------|
| 7C6D32 | TL20/10000/11 | 32 | 40 | 82 | 88 | x | ✓ |


5

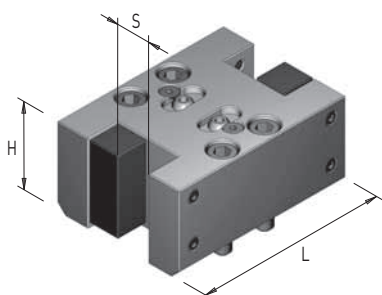
| Art. / Code | Art. / Code CMZ | S | H | L | Coolant IN | Coolant OUT |
|---------------|----------------------|-------|----|-----|------------|-------------|
| 8C6C50 | TL20/10000/08 | 25x25 | 50 | 90 | x | ✓ |
| 8C6L50 | / | 25x25 | 60 | 160 | x | ✓ |


6

| Art. / Code | Art. / Code CMZ | S | H | L | Coolant IN | Coolant OUT |
|---------------|----------------------|-------|----|-----|------------|-------------|
| 8C8L50 | TC35/10000/57 | 25x25 | 55 | 165 | x | ✓ |


7

| Art. / Code | Art. / Code CMZ | S | H | L | Coolant IN | Coolant OUT |
|-----------------|----------------------|-------|----|-----|------------|-------------|
| 8C6V50 | TL20/10000/06 | 25x25 | 44 | 130 | x | ✓ |
| 8C6V50 L | TL20/10000/45 | 25x25 | 44 | 165 | x | ✓ |


8

| Art. / Code | Art. / Code CMZ | S | H | L | Coolant IN | Coolant OUT |
|---------------|----------------------|-------|----|-----|------------|-------------|
| 8C6D50 | TL20/10000/07 | 25x25 | 60 | 139 | x | ✓ |



MODELLI / Models

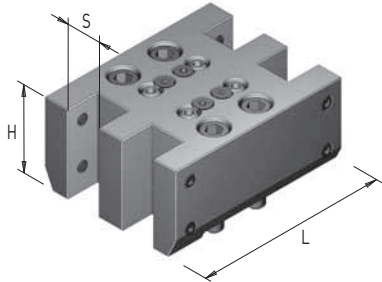
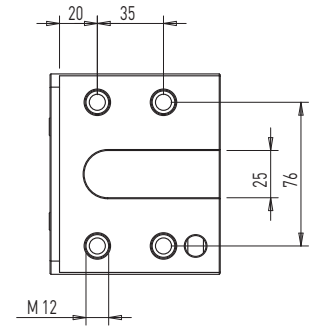
TBI 520

TL 20/25

TC 15/20/25/30/35

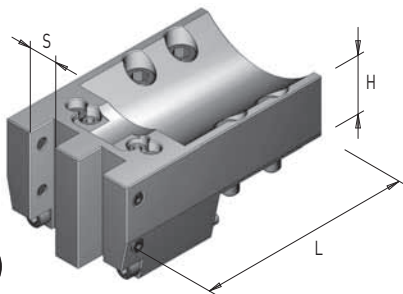
TA 15M/Y/MS/MY/YS - TA 20M/Y/MS/MY/YS

TA 25M/Y/MS/MY/YS - TA 30M/Y/MS/MY/YS



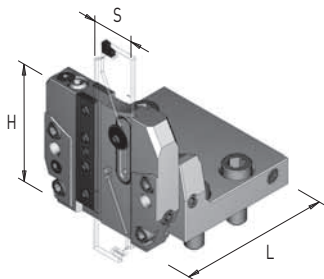
9

| Art. / Code | Art. / Code CMZ | S | H | L | Coolant IN | Coolant OUT |
|-------------|-----------------|-------|----|-----|------------|-------------|
| 8C6D20 Q | / | 20x20 | 60 | 139 | x | ✓ |
| 8C6D25 Q | / | 25x25 | 60 | 139 | x | ✓ |



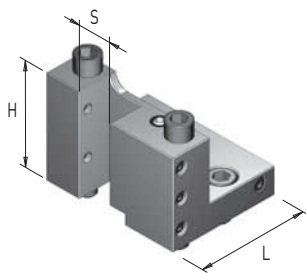
10

| Art. / Code | Art. / Code CMZ | S | H | L | Coolant IN | Coolant OUT |
|-------------|-----------------|-------|----|-----|------------|-------------|
| 8C6V20 D | / | 20x20 | 44 | 165 | x | ✓ |



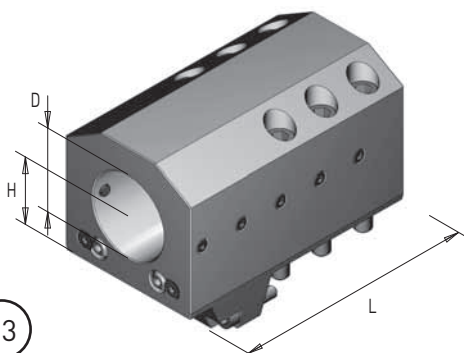
11

| Art. / Code | Art. / Code CMZ | S | H | L | Coolant IN | Coolant OUT |
|-------------|-----------------|---------|----|-----|------------|-------------|
| 8C6B32 | TL20/10000/44 | ISCAR32 | 80 | 103 | ✓ | ✓ |



12

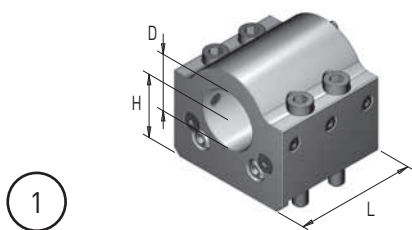
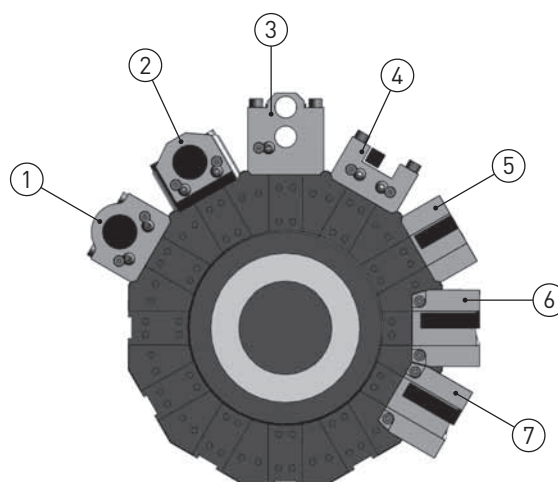
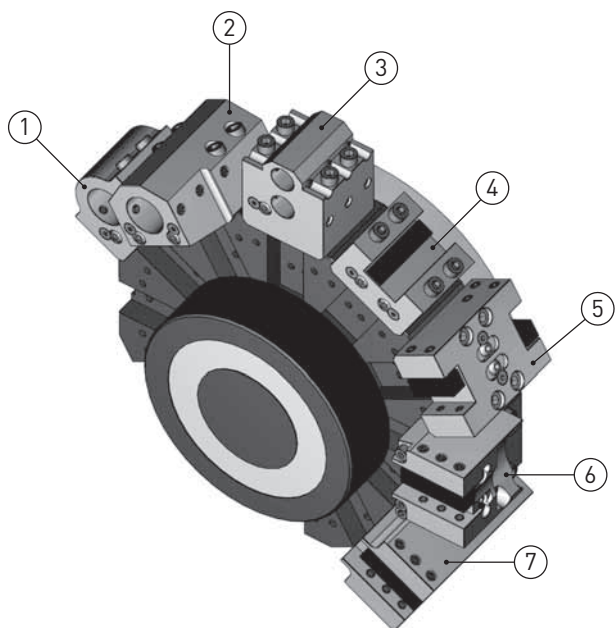
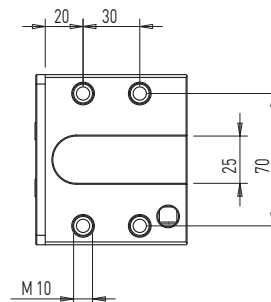
| Art. / Code | Art. / Code CMZ | S | H | L | Coolant IN | Coolant OUT |
|-------------|-----------------|-------|----|----|------------|-------------|
| 8C6B25 | TL20/10000/13 | 25x25 | 78 | 85 | x | ✓ |



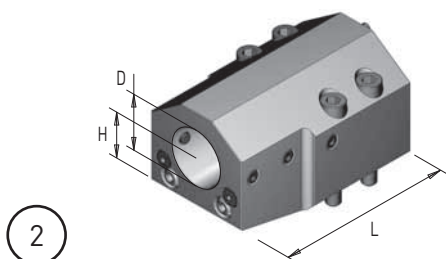
13

| Art. / Code | Art. / Code CMZ | D | H | L | Coolant IN | Coolant OUT |
|-------------|-----------------|----|----|-----|------------|-------------|
| 7C8L60 | TC35/10000/54 | 60 | 50 | 180 | ✓ | ✓ |

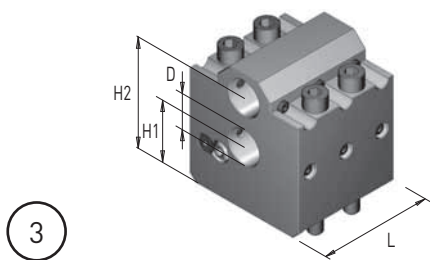
MODELLI / Models
 TL 15T/M/TM/S/MS
 TB46/67 M/CM

MACCHINE COMPATIBILI / Compatibility machines
 Miyano ABX 51/64 THY / SYU


| Art. / Code | Art. / Code CMZ | D | H | L | Coolant IN | Coolant OUT |
|-------------|-----------------|----|----|----|------------|-------------|
| 7C3C40 | TL15/10000/09 | 40 | 40 | 80 | ✓ | ✓ |
| 7C3C40 R | TL15/10000/12 | 40 | 40 | 80 | ✓ | ✓ |



| Art. / Code | Art. / Code CMZ | D | H | L | Coolant IN | Coolant OUT |
|-------------|-----------------|----|----|-----|------------|-------------|
| 7C3L40 | TL15/10000/38 | 40 | 40 | 135 | ✓ | ✓ |
| 7C3L40 R | TL15/10000/38 | 40 | 40 | 135 | ✓ | ✓ |

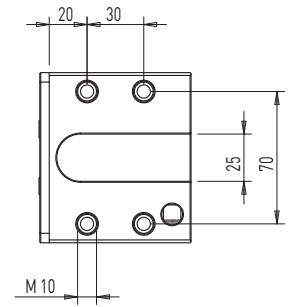


| Art. / Code | Art. / Code CMZ | D | H1 | H2 | L | Coolant IN | Coolant OUT |
|-------------|-----------------|----|----|----|----|------------|-------------|
| 7C3D25 | TL15/10000/11 | 25 | 40 | 75 | 79 | x | ✓ |

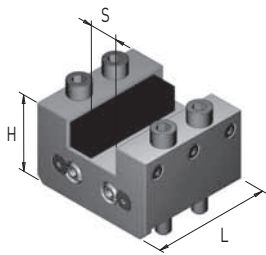


MODELLI / Models
TL 15T/M/TM/S/MS
TB46/67 M/CM

MACCHINE COMPATIBILI / Compatibility machines
Miyano ABX 51/64 THY / SY

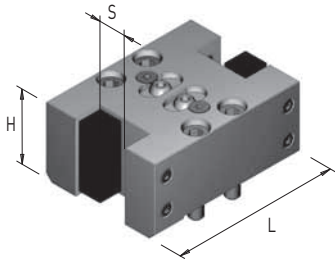


4



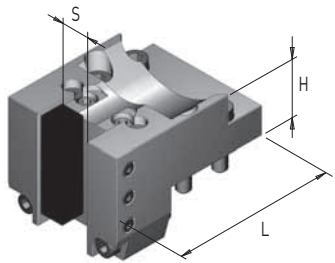
| Art. / Code | Art. / Code CMZ | S | H | L | Coolant IN | Coolant OUT |
|-------------|-----------------|-------|----|----|------------|-------------|
| 8C3C40 | TL15/10000/08 | 20x20 | 50 | 80 | X | ✓ |

5



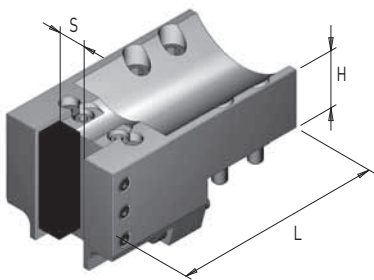
| Art. / Code | Art. / Code CMZ | S | H | L | Coolant IN | Coolant OUT |
|-------------|-----------------|-------|----|-----|------------|-------------|
| 8C3D40 | TL15/10000/07 | 20x20 | 50 | 120 | X | ✓ |

6



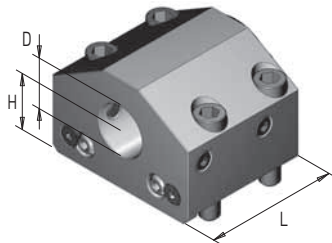
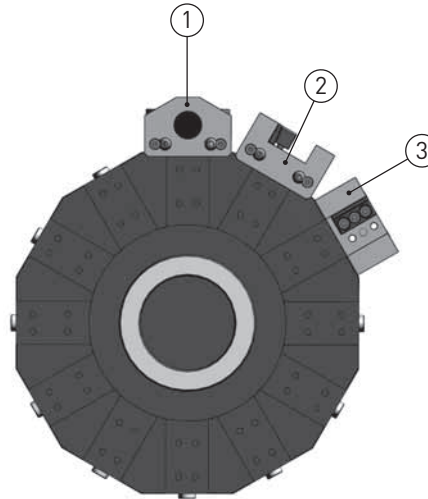
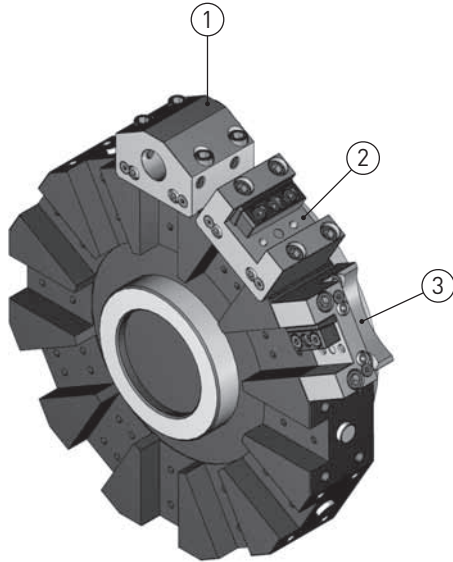
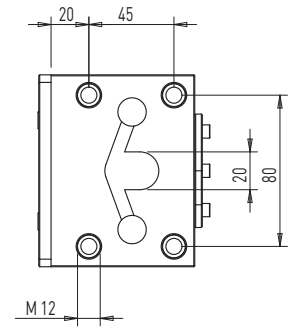
| Art. / Code | Art. / Code CMZ | S | H | L | Coolant IN | Coolant OUT |
|-------------|-----------------|-------|----|-----|------------|-------------|
| 8C3T40 | TL15/10000/06 | 20x20 | 44 | 120 | X | ✓ |

7



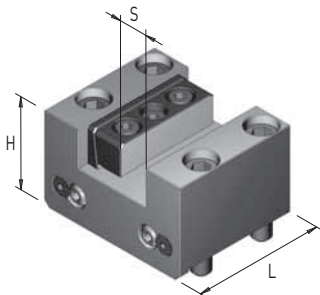
| Art. / Code | Art. / Code CMZ | S | H | L | Coolant IN | Coolant OUT |
|-------------|-----------------|-------|----|-----|------------|-------------|
| 8C3V40 | TL15/10000/45 | 20x20 | 44 | 155 | X | ✓ |

MODELLI / Models
 SL20 / SL30
 ST20 / ST25 / ST30

MACCHINE COMPATIBILI / Compatibility machines
 Okuma LB15/25/300


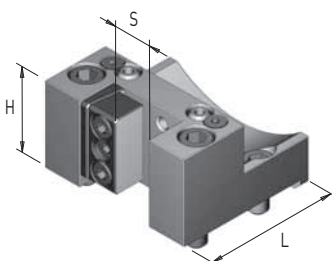
1

| Art. / Code | Art. / Code HAAS | D | H | L | Coolant IN | Coolant OUT |
|-------------|------------------|----|-------|-------|------------|-------------|
| 7H6C32 | BOT20MID | 32 | 31.75 | 101.5 | ✓ | ✓ |
| 7H6C32 R | BOT20MID | 32 | 31.75 | 101.5 | ✓ | ✓ |
| 7H6C40 | BOT20MID | 40 | 31.75 | 101.5 | ✓ | ✓ |
| 7H6C40 R | BOT20MID | 40 | 31.75 | 101.5 | ✓ | ✓ |



2

| Art. / Code | Art. / Code HAAS | S | H | L | Coolant IN | Coolant OUT |
|-------------|------------------|-------|----|-------|------------|-------------|
| 8H6C50 | BOT20MFG | 25x25 | 56 | 101.5 | x | ✓ |



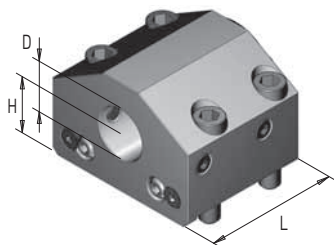
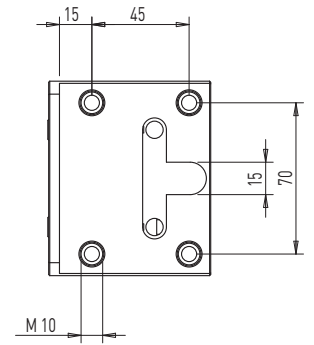
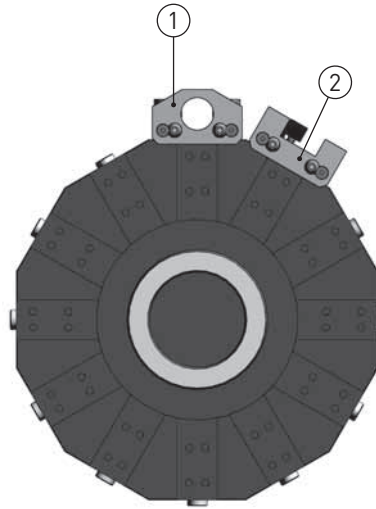
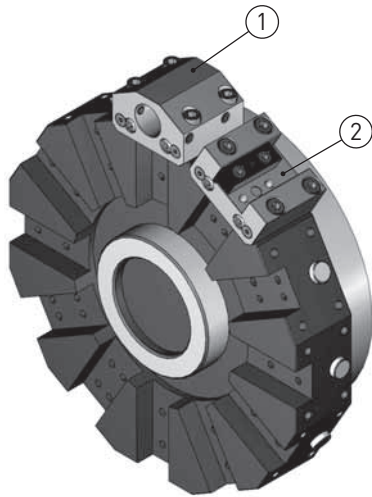
3

| Art. / Code | Art. / Code HAAS | S | H | L | Coolant IN | Coolant OUT |
|-------------|------------------|-------|----|------|------------|-------------|
| 8H6V50 | BOT20MOD | 25x25 | 55 | 91.5 | x | ✓ |



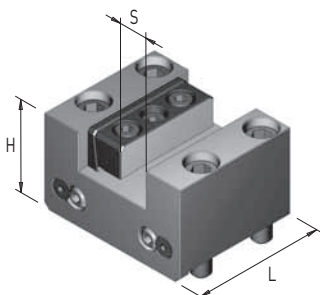
MODELLI / Models
SL10
ST10 / ST15

MACCHINE COMPATIBILI / Compatibility machines
Okuma LLC 152 S



1

| Art. / Code | Art. / Code HAAS | D | H | L | Coolant IN | Coolant OUT |
|-------------|------------------|----|-------|----|------------|-------------|
| 7H3C32 | BOT10MID-32 | 32 | 25.40 | 75 | ✓ | ✓ |
| 7H3C32 R | BOT10MID-32 | 32 | 25.40 | 75 | ✓ | ✓ |



2

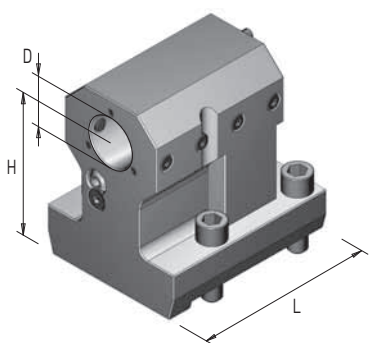
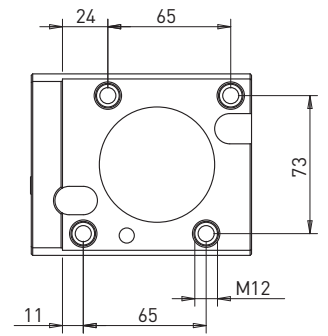
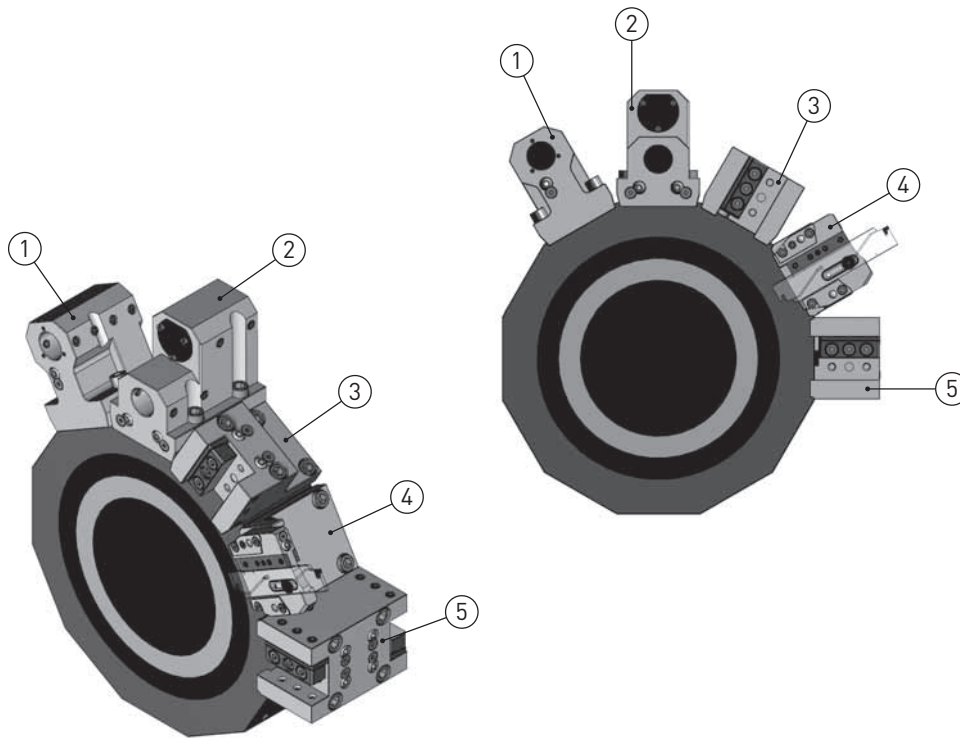
| Art. / Code | Art. / Code HAAS | S | H | L | Coolant IN | Coolant OUT |
|-------------|------------------|-------|----|----|------------|-------------|
| 8H3C40 | BOT10MFG | 20x20 | 40 | 75 | x | ✓ |

MODELLI / Models

LB2000 EX / LB2500 EX / LB3000 EX (M-MW-MY-MYW)

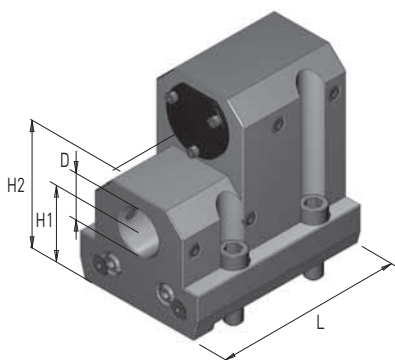
LU2000 EX / LU2500 EX / LU3000 EX (M-MW-MY)

GENOS L300 (MY-MW-MYW)



1

| Art. / Code | Art. / Code OKUMA | D | H | L | Coolant IN | Coolant OUT |
|--------------|-------------------|----|----|-----|------------|-------------|
| 7K6C32 H90 | / | 32 | 90 | 116 | ✓ | ✓ |
| 7K6C32 R H90 | / | 32 | 90 | 116 | ✓ | ✓ |
| 7K6C40 H90 | / | 40 | 90 | 116 | ✓ | ✓ |
| 7K6C40 R H90 | / | 40 | 90 | 116 | ✓ | ✓ |



2

| Art. / Code | Art. / Code OKUMA | D | H1 | H2 | L | Coolant IN | Coolant OUT |
|-------------|-------------------|----|----|-----|-----|------------|-------------|
| 7K6D32 | / | 32 | 50 | 105 | 133 | ✓ | ✓ |
| 7K6D32 R | / | 32 | 50 | 105 | 133 | ✓ | ✓ |
| 7K6D40 | / | 40 | 50 | 105 | 133 | ✓ | ✓ |
| 7K6D40 R | / | 40 | 50 | 105 | 133 | ✓ | ✓ |

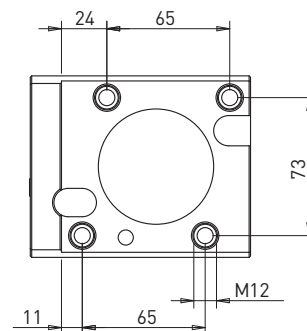


MODELLI / Models

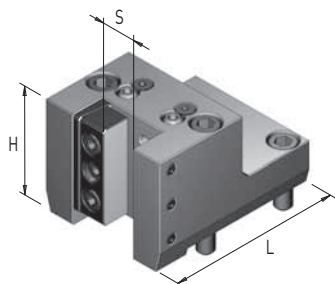
LB2000 EX / LB2500 EX / LB3000 EX (M-MW-MY-MYW)

LU2000 EX / LU2500 EX / LU3000 EX (M-MW-MY)

GENOS L300 (MY-MW-MYW)

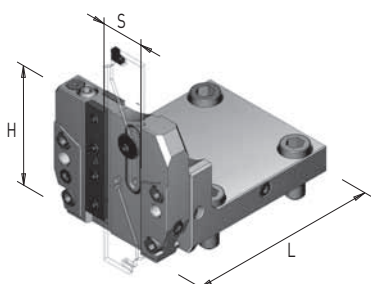


3



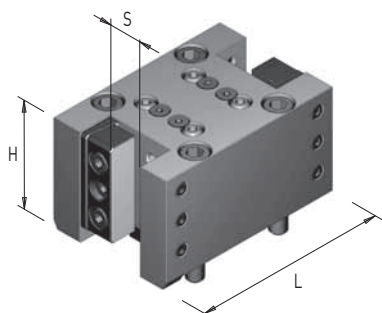
| Art. / Code | Art. / Code OKUMA | S | H | L | Coolant IN | Coolant OUT |
|-------------|-------------------|-------|----|-----|------------|-------------|
| 8K6V50 | / | 25X25 | 75 | 126 | x | ✓ |

4



| Art. / Code | Art. / Code OKUMA | S | H | L | Coolant IN | Coolant OUT |
|-------------|-------------------|---------|----|-----|------------|-------------|
| 8K6B32 | / | ISCAR32 | 85 | 126 | ✓ | ✓ |

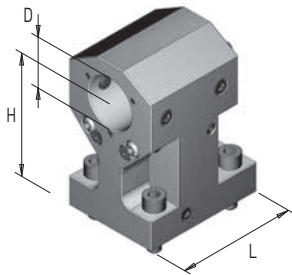
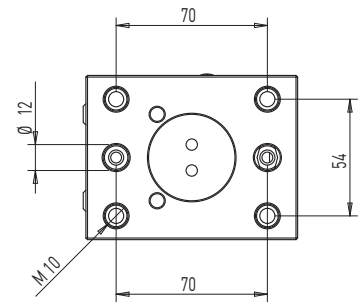
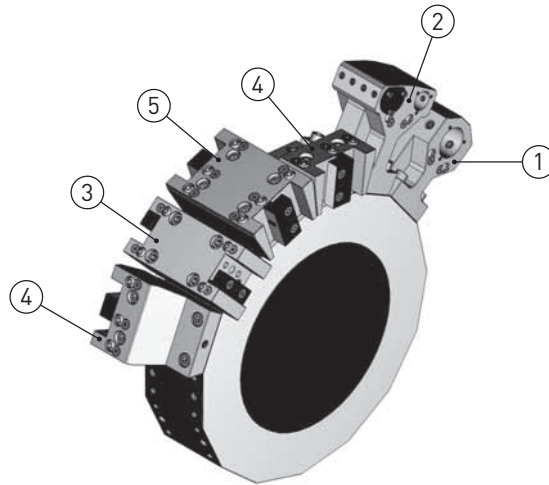
5



| Art. / Code | Art. / Code OKUMA | S | H | L | Coolant IN | Coolant OUT |
|-------------|-------------------|-------|----|-----|------------|-------------|
| 8K6D50 | / | 25X25 | 75 | 152 | x | ✓ |

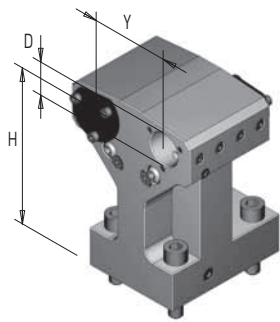
MODELLI / Models

**MT 12
MT 200**



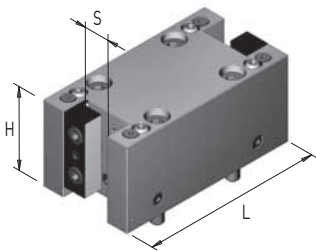
1

| Art. / Code | Art. / Code MURATEC | D | H | L | Coolant IN | Coolant OUT |
|--------------|---------------------|----|-----|----|------------|-------------|
| 7MU5C40 H100 | / | 40 | 100 | 98 | ✓ | ✓ |



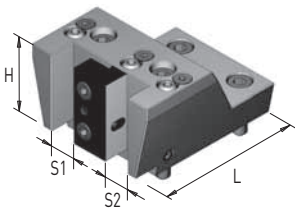
2

| Art. / Code | Art. / Code MURATEC | D | H | Y | Coolant IN | Coolant OUT |
|-------------|---------------------|----|-----|----|------------|-------------|
| 7MU5D25 Y60 | / | 25 | 125 | 60 | ✓ | ✓ |



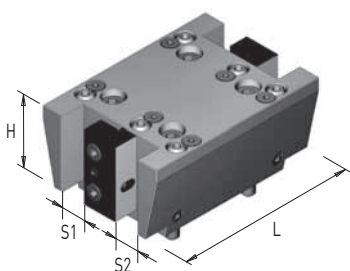
3

| Art. / Code | Art. / Code MURATEC | S | H | L | Coolant IN | Coolant OUT |
|-------------|---------------------|-------|----|-----|------------|-------------|
| 8MU5D40 | / | 20x20 | 69 | 150 | ✗ | ✓ |



4

| Art. / Code | Art. / Code MURATEC | S1 | S2 | H | L | Coolant IN | Coolant OUT |
|-------------|---------------------|-------|-------|----|-----|------------|-------------|
| 8MU5V20 D | / | 20x20 | 20x20 | 69 | 124 | ✗ | ✓ |

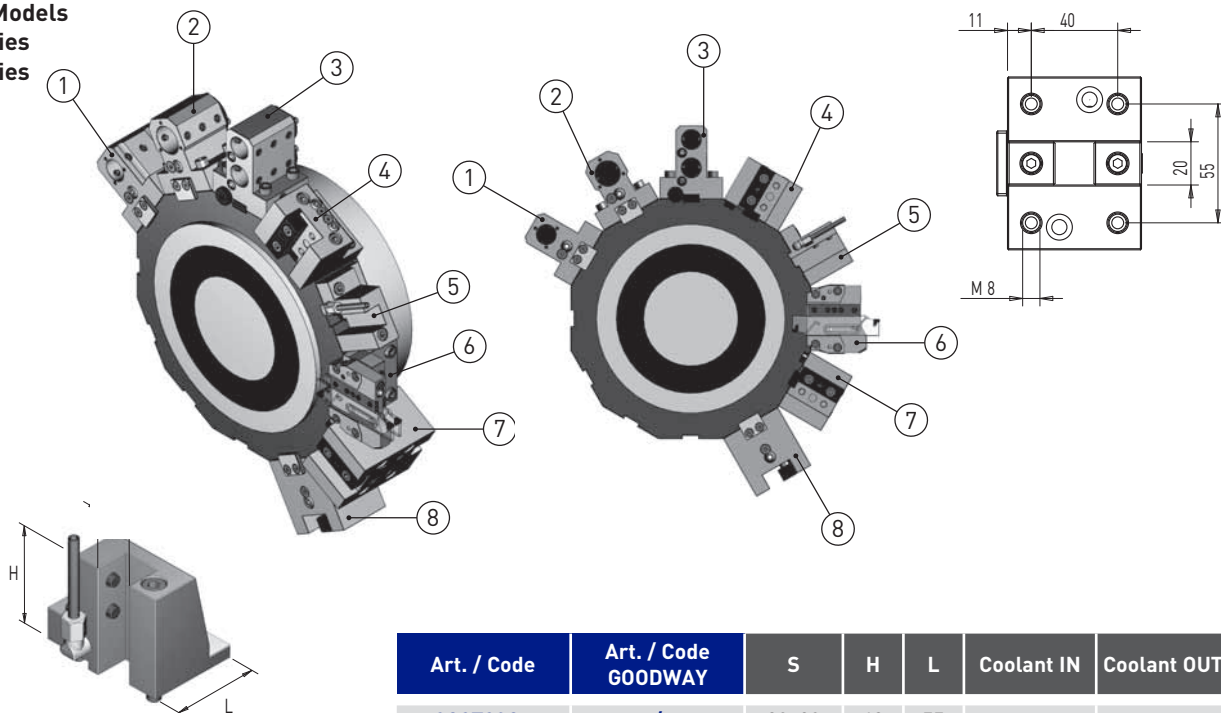


5

| Art. / Code | Art. / Code MURATEC | S1 | S2 | H | L | Coolant IN | Coolant OUT |
|-------------|---------------------|-------|-------|----|-----|------------|-------------|
| 8MU5D20 Q | / | 20x20 | 20x20 | 69 | 150 | ✗ | ✓ |



MODELLI / Models
GLS 150 series
GLS 200 series

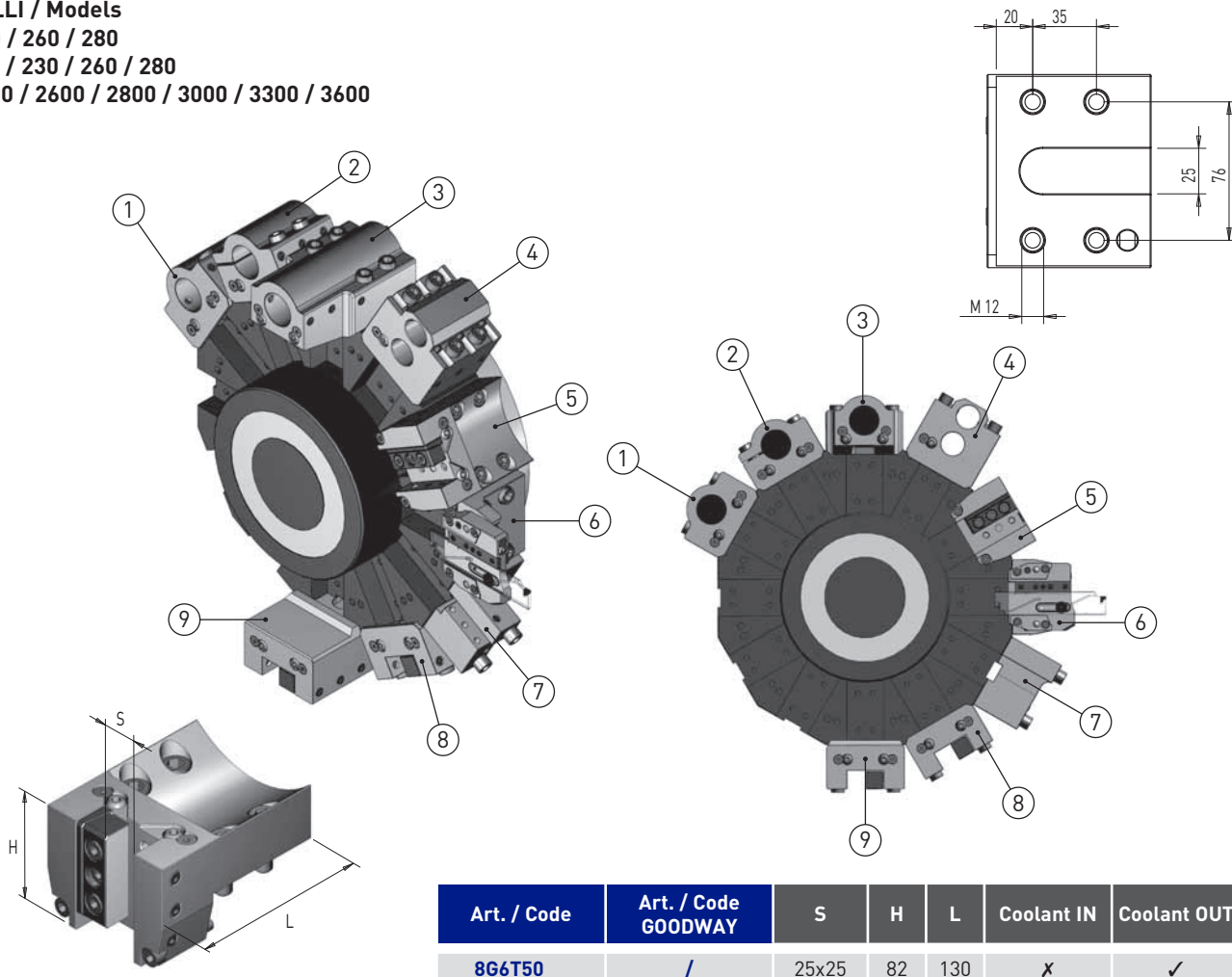


| Art. / Code | Art. / Code GOODWAY | S | H | L | Coolant IN | Coolant OUT |
|-------------|---------------------|-------|----|----|------------|-------------|
| 8G3T20C | / | 20x20 | 63 | 55 | X | ✓ |

per i portautensili 1 / 2 / 3 / 4 / 6 / 7 / 8 vedi portautensili per NAKAMURA tipo 7N3... 8N3... a pag. 69
for toolholder 1 / 2 / 3 / 4 / 6 / 7 / 8 see pag. 69 NAKAMURA type 7N3... 8N3...

MODELLI / Models

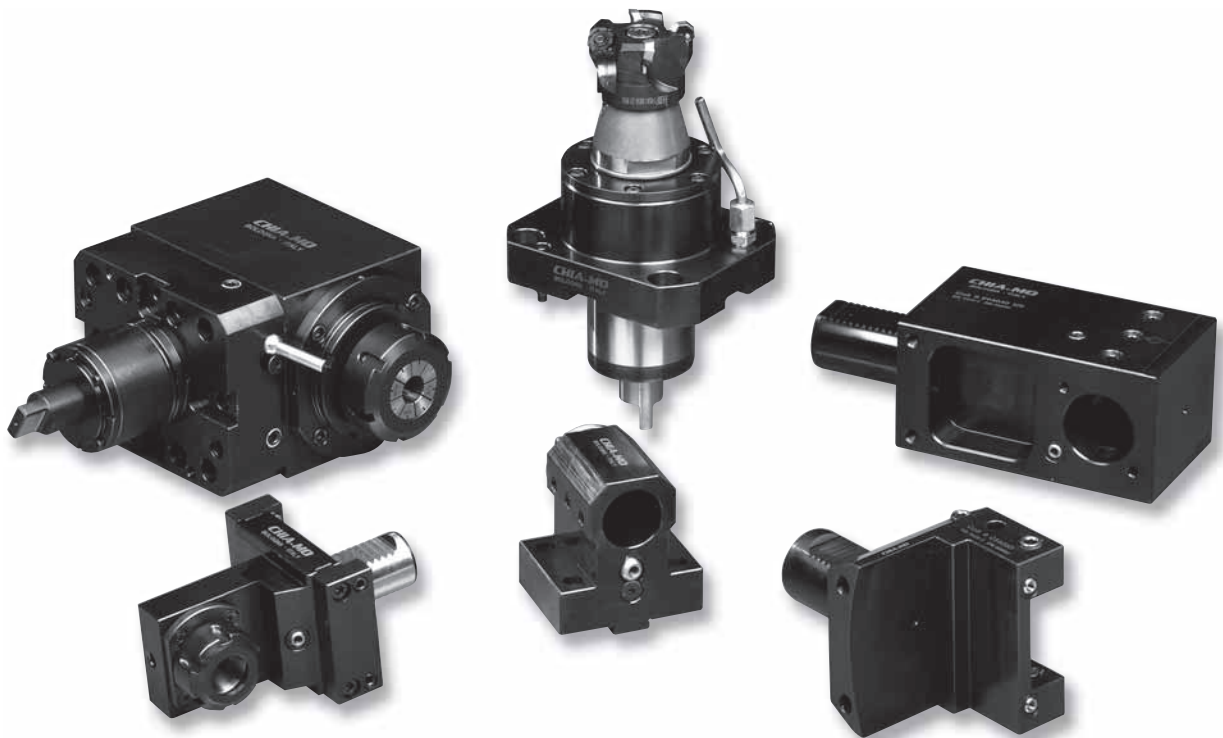
GA 200 / 260 / 280
GS 200 / 230 / 260 / 280
GA 2000 / 2600 / 2800 / 3000 / 3300 / 3600



| Art. / Code | Art. / Code GOODWAY | S | H | L | Coolant IN | Coolant OUT |
|-------------|---------------------|-------|----|-----|------------|-------------|
| 8G6T50 | / | 25x25 | 82 | 130 | X | ✓ |

per i portautensili 1 / 2 / 3 / 4 / 6 / 7 / 8 / 9 vedi portautensili per DMG-MORI SEIKI tipo 7M6... 8M6... a pag. 51
for toolholder 1 / 2 / 3 / 4 / 6 / 7 / 8 / 9 see pag. 51 DMG-MORI SEIKI type 7M6... 8M6...

PORTAUTENSILI PER TORNI SU RICHIESTA
LATHE TOOLHOLDERS ON REQUEST



**OLTRE ALLA SERIE DI PORTAUTENSILI “STANDARD”
DISPONIBILI A MAGAZZINO, LA CHIA-MO È
SPECIALIZZATA NELLA REALIZZAZIONE,
CON PRODUZIONI SPECIALI ESEGUITE IN MODO
TEMPESTIVO E AFFIDABILE, DI PORTAUTENSILI
“SU RICHIESTA” PER RISOLVERE LE SPECIFICHE
PROBLEMATICHE DEL CLIENTE.**

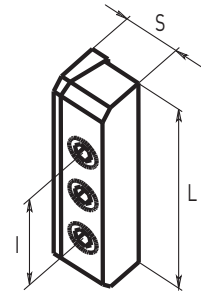
**TOGETHER WITH THE SERIES OF “STANDARD” TOOL HOLDERS AVAILABLE
FROM STOCK, CHIA-MO IS ALSO SPECIALIZED IN THE PRODUCTION, WITH
SPECIAL PRODUCTS MADE PROMPTLY AND RELIABLY, OF “CUSTOMISED”
TOOL HOLDERS TO RESOLVE SPECIFIC PROBLEMS OF THE CUSTOMER.**



TASSELLO PER FISSAGGIO UTENSILI IN TORRETTE ED IN PORTAUTENSILI

LOCKING BLOCKS FOR TOOL FASTENING IN TURRETS AND TOOLHOLDERS

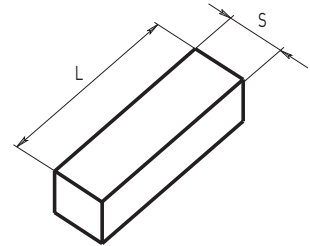
| Art. / Code | S | L | I | Per portautensili / For toolholders |
|-------------|----|-----|----|--|
| 999.005 | 25 | 109 | 50 | 8M6.T50 - 8M6T50 L |
| 999.013 | 25 | 70 | 40 | 8M8.V50 - 8M8.C50 - 8M8.D50 |
| 999.013 H | 25 | 48 | 29 | 7H6.C32 - 7H6.C40 - 8H6.C50 |
| 999.017 | 20 | 63 | 36 | 8M8.V40 - 8M8.C40 - 8M8.D40 |
| 999.024 | 25 | 64 | 40 | 8D6.V50 - 8D6.D50 |
| 999.026 | 20 | 60 | 32 | 8B6.V40 - 8B6.D40 - 8B6.C40 - 8B6V50 L 8N3.V40 - 8N3.D40 - 8N3.C40 8N4.V40 - 8N4.D40 - 8N4.C40 |
| 999.028 | 16 | 45 | 28 | 8B4.V32 - 8B4.D32 - 8B4.C32 - 8B4.V32 L |



TASSELLO PER FISSAGGIO UTENSILI IN PORTAUTENSILI

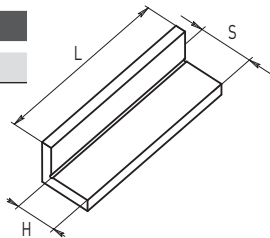
LOCKING BLOCKS FOR TOOL FASTENING IN TOOLHOLDERS

| Art. / Code | S | L | Per portautensili / For toolholders |
|-------------|----|----|---|
| 999.010 | 18 | 50 | 8M3.D40 - 8M8.D40 |
| 999.009 | 18 | 79 | 8M3.C40 - 8M3.L40 - 8M8.C40 |
| 999.008 | 24 | 60 | 8M6.D50 - 8M8.D50 - 8M8.V50 |
| 999.004 | 24 | 90 | 8M6.C50 - 8M6.L50 - 8M6.V50 - 8M6.V50 L - 8M8.V50 L |



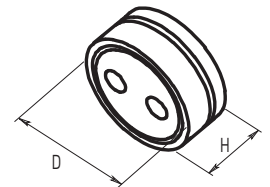
PIASTRA DI RIDUZIONE UTENSILI DA 25 A 20
TOOL REDUCTION PLATE FROM 25 TO 20

| Art. / Code | S | H | L |
|-------------|------|------|----|
| 999.021 | 24.5 | 19.5 | 90 |



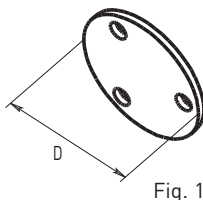
TAPPI PER PORTAUTENSILI
RING FOR TOOLHOLDERS

| Art. / Code | S | L |
|-------------|----|----|
| 999.016 | 60 | 25 |
| 999.016 B | 40 | 25 |



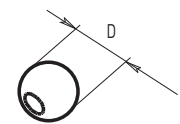
TAPPI PER REFRIGERAZIONE INTERNA
RING FOR INNER COOLANT FEEDING SYSTEM

| Art. / Code | D | Per foro / For hole | Fig. |
|-------------|----|---------------------|------|
| 999.012 | 40 | 25 | 1 |
| 999.001 | 48 | 32 | 1 |
| 999.002 | 60 | 40 | 1 |
| 999.007 | 70 | 50 | 1 |



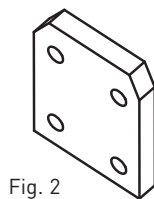
SFERE PER ORIENTAMENTO REFRIGERAZIONE
COOLING DIRECTION BALLS

| Art. / Code | D |
|-------------|----|
| 999.003 | 14 |
| 999.003 C | 12 |
| 999.003 D | 10 |



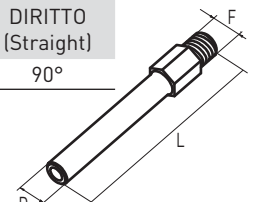
PER PORTAUTENSILE / FOR TOOLHOLDER

| Art. / Code | | Fig. |
|-------------|---------|------|
| 999.012 B | 7D6.D25 | 2 |
| 999.023 | 7D6.C40 | 2 |



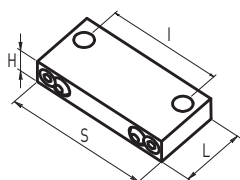
TUBINO IN RAME PER REFRIGERANTE
COPPER COOLANT PIPE

| Art. / Code | D | L | F | Raccordo / Connection |
|-------------|---|-----|-----|-----------------------|
| 999.015 | 6 | 100 | 1/8 | DIRITTO (Straight) |
| 999.015 B | 6 | 100 | 1/8 | 90° |



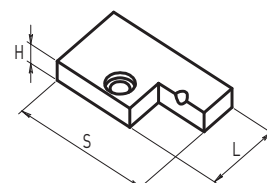
BLOCCHETTO PER ADDUZIONE REFRIGERANTE
COOLANT PLATE

| Art. / Code | Art. / Code HAAS | S | L | H | I |
|-------------|------------------|----|----|------|----|
| 999.018 B | CB10 | 88 | 45 | 16.5 | 70 |



PIASTRINO PER DEVIAZIONE REFRIGERANTE
COOLANT DEVIATION PLATE

| Art. / Code | Art. / Code MORI SEIKI | S | L | H |
|-------------|------------------------|----|----|----|
| 999.018 | B52059 | 65 | 40 | 12 |



CHIA-MO

WWW.CHIAMO.IT I T A L Y



Via Matteotti, 311 - GARDONE V.T. (BS) Tel. 030 832775 - Fax 030 8911264
www.utensileriapelizzari.it - commerciale@pelizzarifaustino.it